

MOELLER CONTACTOR SUPPRESSOR

Varistor, 230VAC/DC

230 V AC/DC

VDR

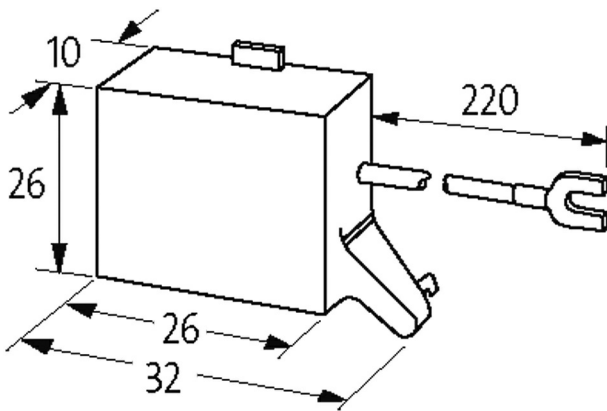
For other configurations and voltages, please inquire.

[Link to Product](#)

Illustration



VDR



Product may differ from Image



Technical Data

Input voltage	110...250 V AC/DC
Material	Flame retardant plastic acc. to (UL 94)
Damping factor	approx. 1.5× UN
Connection wires	self-securing cable forks

General data

Temperature range	-20...+70 °C
Dimensions H×W×D	27.5×10×32 mm

Appropriate contactors

The information in this brochure has been compiled with the utmost care. Liability for the correctness completeness and topicality of the information is restricted to gross negligence. Version: 03/22

DIL E...C

Commercial data

country of origin	CZ
customs tariff number	85363010
EAN	4048879018388
eClass	27371013
Packaging unit	1.000