

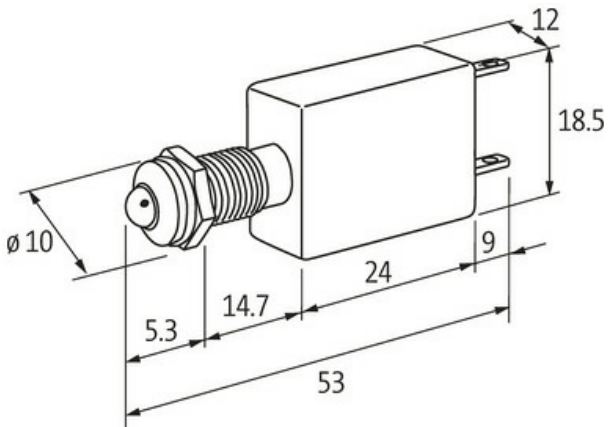
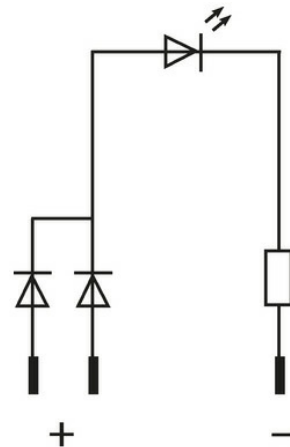
LED-display 24V DC lamp-test white

Product discontinued, no alternative

(white)
24 V DC
Protection IP40
with lamp test input

[Link to Product](#)

Illustration



Product may differ from Image

Technical Data

Operating voltage	24 V AC/DC $\pm 15\%$
Current consumption	15 ± 2 mA
Protection (IEC 60529/EN 60529)	IP40

General data

Temperature range	-40...+70 °C
Front panel hole diameter Ø	8 mm
LED Ø	5 mm
Housing	Adapter - PVC, gray
Connection	Faston 2.8x0.8 mm
Dimensions HxWxD	18.5x12x53 mm

Commercial data

country of origin	DE
customs tariff number	85318070
EAN	4048879040860
eClass	27261590
Packaging unit	10.000