

M12 male 0° L-cod. field- wireable (IDC)5-pol. 0,75...1,5mm²

Male straight

M12, 5-pole

L-coded

Field-wireable

IDC terminals

0.75...1.5 mm²

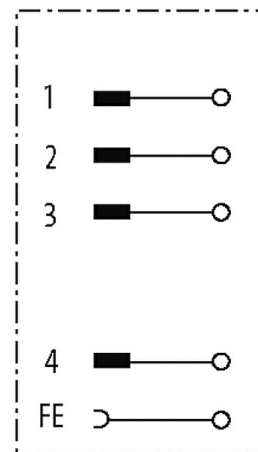
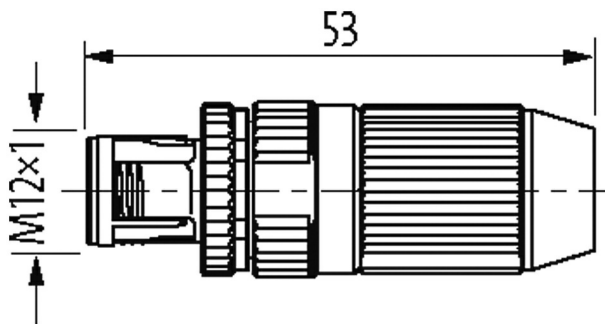
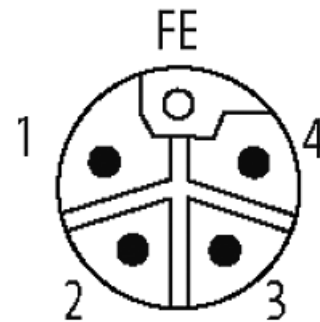
Sealing range (cable Ø)

5.8...13.5 mm

The resistance to aggressive media should be individually tested for your application. Further details on request.

[Link to Product](#)**Illustration**

Male



Product may differ from Image

Form

Form P4391

Technical Data

| | |
|-------------------------------|--------------------------|
| Operating voltage | max. 63 V DC |
| Operating current per contact | max. 12 A |
| Connection cross section | max. 1.5 mm ² |
| Coding | L-coded |
| Sealing range (cable Ø) | 5.8...13.5 mm |

| | |
|---|--|
| Locking of ports | Screw thread (M12×1 mm) recommended torque 0.6 Nm, self-securing |
| Compression gland | M12 (SW17) |
| Protection | IP65 and IP67 when plugged and screwed down (EN 60529) |
| Material | Zinc die casting |
| suitable for corrugated tube (internal Ø) | without |
| Mating cycles | ≥ 500 |
| General data | |
| Temperature range | -40...+85 °C |
| Material (contact carrier) | PA |
| Material (contact surface) | Au |
| Commercial data | |
| country of origin | RO |
| customs tariff number | 85366990 |
| EAN | 4048879682541 |
| eClass | 27279221 |
| Packaging unit | 1 |