

## SIEMENS CONTACTOR SUPPRESSOR

Diode, 0...240VDC

48 V AC/DC

Diode

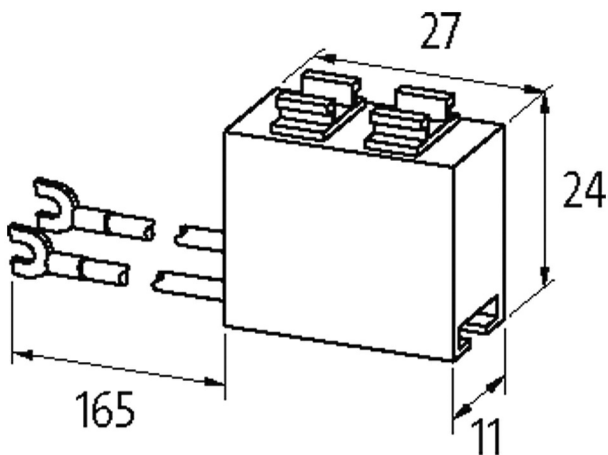
For other configurations and voltages, please inquire.

### [Link to Product](#)

#### Illustration



Diode



Product may differ from Image



#### Technical Data

Input voltage	12...250 V DC
Material	Flame retardant plastic acc. to (UL 94)
Damping factor	approx. 1.5× UN
Connection wires	self-securing cable forks
max. power (W)	15 W

#### General data

The information in this brochure has been compiled with the utmost care.  
Liability for the correctness completeness and topicality of the information is restricted to gross negligence. Version: 03/22

Temperature range	-20...+70 °C
-------------------	--------------

Dimensions H×W×D	11×27×24 mm
------------------	-------------

**Appropriate contactors**

3 TH 3/4/8; 3 TF 30...45; 3 TB 40...3 TB 44

**Commercial data**

country of origin	CZ
-------------------	----

customs tariff number	85363010
-----------------------	----------

EAN	4048879018494
-----	---------------

eClass	27371013
--------	----------

Packaging unit	1.000
----------------	-------