

SIEMENS CONTACTOR SUPPRESSOR

Varistor and LED, 24VAC/DC

24 V AC/DC

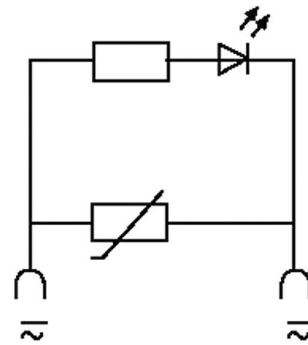
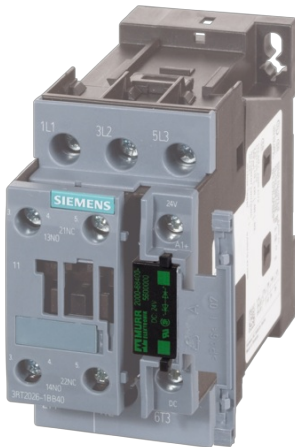
48 V AC/DC

VDR + LED

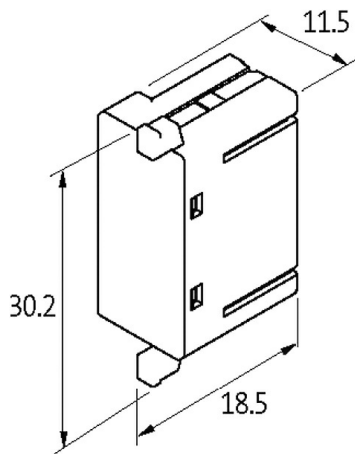
For other configurations and voltages, please inquire.

[Link to Product](#)

Illustration



VDR + LED



Product may differ from Image



Technical Data

Input voltage	12...48 V AC/DC
Material	Flame retardant plastic acc. to (UL 94)
Damping factor	approx. 1.5x UN
Connection wires	Plug contact

General data

Temperature range	-20...+70 °C
-------------------	--------------

Dimensions H×W×D 18.5×30.2×11.5 mm

Appropriate contactors

3 RT 20.25/26/27/28

Commercial data

country of origin	CZ
customs tariff number	85363010
EAN	4048879010825
eClass	27371013
Packaging unit	1.000