

EMPARRO CAP BUFFER MODULE

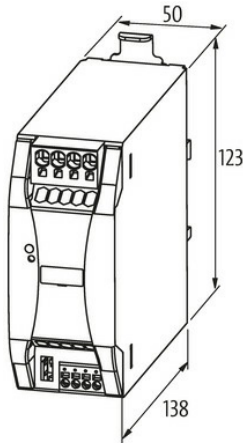
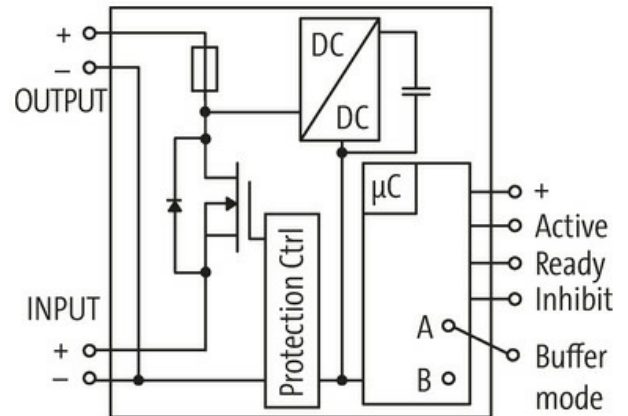
IN:47-56 VDC OUT: 46-56VDC/20A for 100ms

INPUT: 48 V DC (SELV/PELV)

OUTPUT: max. 20 A
0.1 s (20 A); 2 s (1 A)

[Link to Product](#)

Illustration



Product may differ from Image



General data

Standards	EN 61000-6-2, EN 61000-6-3, EN 55022 B
Mounting method	DIN-rail mountable TH35 (EN 60715)
Temperature range	-25...+70 °C, ...+70 °C derating (storage temperature -40...+85 °C)
Efficiency	99%
Dimensions H×W×D	123×50×138 mm

Output

Output voltage	48 V DC (46...56 V DC)
----------------	------------------------

Parallel circuit	possible
------------------	----------

Current limit	26 A
---------------	------

Buffer time	0.1 s (20 A); 2 s (1 A)
-------------	-------------------------

Output current	max. 20 A
----------------	-----------

Ripple	max. 200 mV ss/pp
--------	-------------------

Input

Input voltage	46...56 V DC (SELV/PELV)
---------------	--------------------------

Protection of voltage spikes	max. 72 V DC
------------------------------	--------------

Loading current	max. 500 mA
-----------------	-------------

Loading time	20...45 s
--------------	-----------

Commercial data

country of origin	CZ
-------------------	----

customs tariff number	85322200
-----------------------	----------

EAN	4048879478120
-----	---------------

eClass	27049190
--------	----------

Packaging unit	1.000
----------------	-------