

**IMPACT67 COMPACT MODULE, PLASTIC**

Profinet, 16 dig. Out

Digital outputs

DO16 - 0.5 A

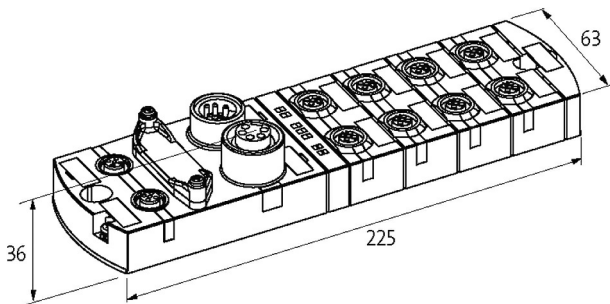
Ethernet 10/100 Mbit/s; M12, D-coded

7/8", 5-pole, 2× max. 9 A

M12, 5-pole, A-coded

Connection cables are in the online shop under "Connection Technology".

Housing fully potted.

**[Link to Product](#)****Illustration**

Product may differ from Image

**General data**

|                   |   |
|-------------------|---|
| Mounting method   | 2-hole screw mounting, compatible with I/O modules of MVK model range |
| Temperature range | -25...+55 °C (storage temperature -25...+70 °C)                       |
| Protection        | IP67  |
| Dimensions H×W×D  | 39×63×225 mm  |

**Output**

|                              |   |
|------------------------------|---|
| Switching current per output | max. 0.5 A (short-circuit and overload protected) |
|------------------------------|---|

**Connections**

|                               |                                      |
|-------------------------------|--------------------------------------|
| Fieldbus                      | Ethernet 10/100 Mbit/s; M12, D-coded |
| Sensor-system/actuator supply | 7/8", 5-pole, 2× max. 9 A            |
| I/O ports                     | M12, 5-pole, A-coded                 |

**PROFINET**

|            |     |
|------------|-----|
| Addressing | DCP |
|------------|-----|

**Diagnostic**

|                            |                        |
|----------------------------|------------------------|
| Communication status       | via LED                |
| Diagnostic via LED         | per module and channel |
| Diagnostic via BUS         | per module and channel |
| Monitoring - under voltage | yes                    |
| Monitoring - no voltage    | yes                    |

**Commercial data**

|                       |               |
|-----------------------|---------------|
| country of origin     | DE            |
| customs tariff number | 85389099      |
| EAN                   | 4048879051880 |
| eClass                | 27242604      |
| Packaging unit        | 1.000         |