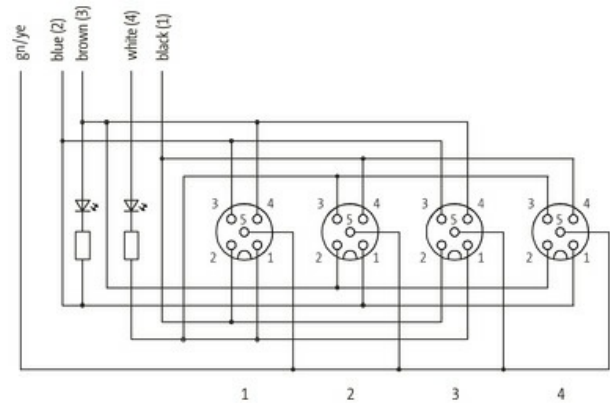
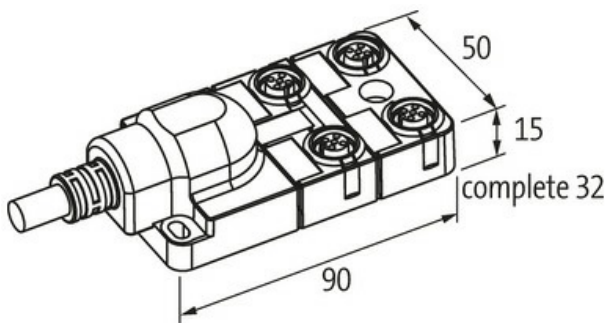
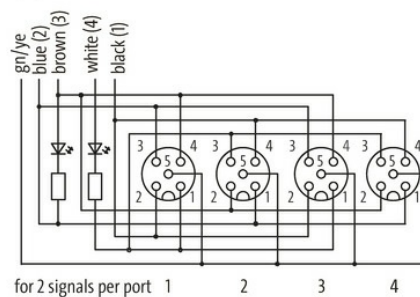
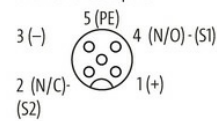


EXACT12, 4XM12, 5-POLE, MOULDED CABLE

15.0m PUR/PVC 5x1.0 GRAY,

[Link to Product](#)**Illustration**

M12-Females 5-pole



Product may differ from Image

Technical Data

Operating voltage	24 V DC
Operating current per contact	max. 4 A
Locking of ports	M3/M12×1 mm (recommended torque 0.4/0.6 Nm)
Protection	IP67 inserted and tightened (EN 60529)
Housing	Plastic, flame retardant

General data

Temperature range	-20...+60 °C, depending on cable quality
-------------------	--

Cables

No./diameter of wires	5 × 1.0 mm ²
Wire isolation	PP (br, wh, bl, bk num, gnye)
Outer Ø	7.2 mm ±5%
Cable identification	965
Cable number	965
Approval (cable)	CE

The information in this brochure has been compiled with the utmost care. Liability for the correctness completeness and topicality of the information is restricted to gross negligence. Version: 03/22

Cable weight [g/m]	86,9 g
Material (wire)	Cu wire, bare
Resistor (core)	max. 19.5 Ω /km (20 °C)
Single wire \varnothing (core)	0.2 mm
Diameter (core)	5x 1.0 mm ²
AWG	similar to AWG 17
Material (wire isolation)	PP
Shore hardness (wire isolation)	60 \pm 5 D
Wire- \varnothing incl. isolation	2.0 mm \pm 5%
Color/numbering of wires	bl, bk, wh, br, num; gnye longitudinally striped
Stranding combination	5 wires twisted around central filler
Shield	no
Material (jacket)	PUR/PVC
Material property (jacket)	CFC-, halogen-, cadmium-, silicone- and lead-free, matt, low-adhesion, machine easy to process, abrasion-resistant, hydrolysis and microbial resistant
Shore hardness (jacket)	81 \pm 5 A / 90 \pm 5 A
Outer- \varnothing (jacket)	7.2 mm \pm 5%
Color (jacket)	gray
Jacket Color	gray
Nominal voltage	600 V AC
Test voltage	3000 V AC
Current load capacity	to DIN VDE 0298-4
Temperature range (fixed)	-30...+70 °C
Temperature range (fixed)	-30...+70 °C
Temperature range (mobile)	-5...+70 °C
Temperature range (mobile)	-5...+70 °C
Bend radius (fixed)	7.5x outer \varnothing
Bend radius (moving)	10x outer \varnothing
Bend radius (moving)	10x outer \varnothing
Material (jacket)	PUR/PVC

Contact Layout

PIN 1	0 V
PIN 2	24 V DC
PIN 3	0 V
PIN 4	24 V DC
PIN 5	(Earth)
LED (green): Power / LED (yellow): (S1) / LED (white): Signal (S2)	

Commercial data

country of origin	DE
customs tariff number	85444290
EAN	4048879472715
eClass	27143423
Packaging unit	1.000