

SUPPRESSOR FOR CONTACTORS

RC, 230 VAC/DC, 25 VA/W

230 V AC/DC

RC

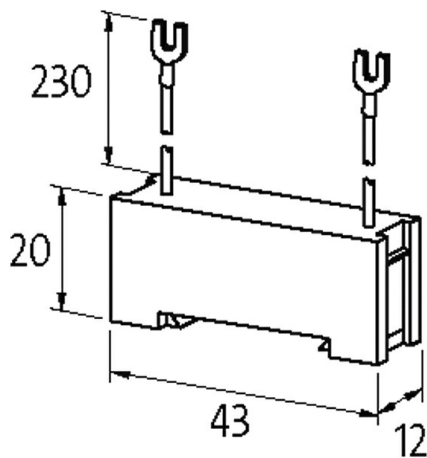
For other configurations and voltages, please inquire.

[Link to Product](#)

Illustration



RC



Product may differ from Image



Technical Data

Input voltage	110...250 V AC/DC
max. power (W)	25 W (VA)

General data

Temperature range	-20...+70 °C
Dimensions H×W×D	20×43×12 mm

Appropriate contactors

universal

Commercial data	
country of origin	CZ
customs tariff number	85363010
EAN	4048879020626
eClass	27371013
Packaging unit	1.000