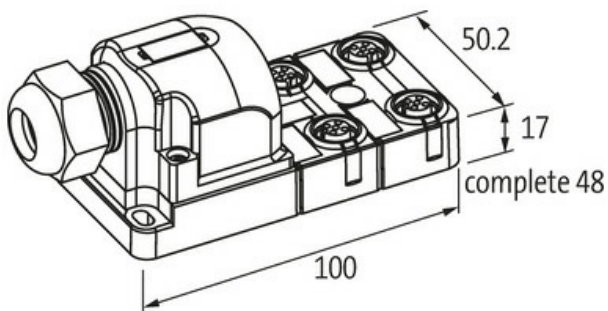
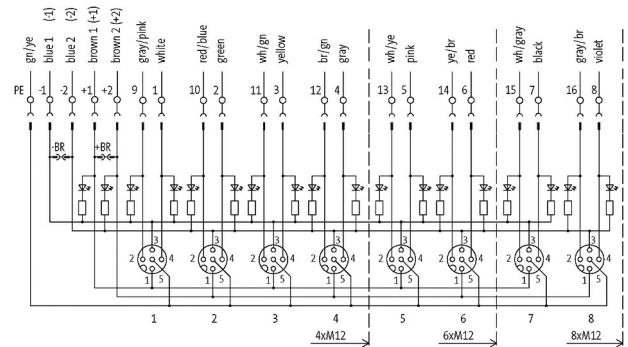
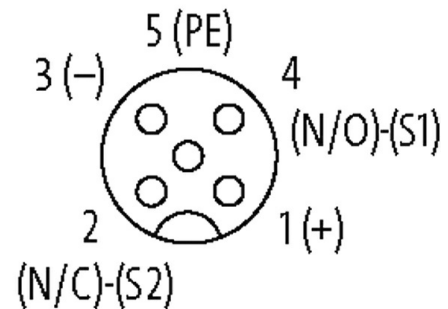


**MVP12, 4XM12, 5POLE, PLUGGABLE CABLE**

15.0m PUR/PVC 8x0,34+5x0,75

4-way, 5-pole  
 PUR/PVC  
 potentially separated  
 with LED for digital PNP-signals 24 V DC  
 Further cable lengths on request.  
 Plastic housings with good resistance against chemicals and oils.

**Link to Product****Illustration****M12 Females 5-pole**

Product may differ from Image



UL

UL

**Technical Data**

Operating voltage	24 V DC $\pm 25\%$
Operating current per contact	max. 4 A
Protection	IP65 and IP67 when plugged and screwed down (EN 60529)
Material	PBT
Housing	Plastic, flame retardant
Signal per port	2
Total current	max. 2x 8 A

**General data**

The information in this brochure has been compiled with the utmost care.  
 Liability for the correctness completeness and topicality of the information is restricted to gross negligence. Version: 03/22

Temperature range	-20...+80 °C
Dimensions H×W×D	100×50.2×17 mm
<b>Cables</b>	
No./diameter of wires	8× 0.34 + 5× 0.75 mm <sup>2</sup>
Wire isolation	PVC
C-track properties	1.5 Mio.
Outer Ø	9.2 mm ±5%
Cable number	374
Color (jacket)	gray
Jacket Color	gray
Temperature range (fixed)	-30...+80 °C
Temperature range (mobile)	-30...+80 °C
Bend radius (fixed)	10× outer Ø
Bend radius (moving)	12× outer Ø
Material (jacket)	PUR/PVC
<b>Contact Layout</b>	
PIN 1	(+)
PIN 2	(NC)/(S2)
PIN 3	(-)
PIN 4	(NO)/(S1)
PIN 5	(Earth)
	LED (green): Power / LED (yellow): (S1/S2)
<b>Commercial data</b>	
country of origin	CZ
customs tariff number	85444290
EAN	4048879064286
eClass	27279219
Packaging unit	1.000