

MMW ANALOG COUPLER COMPONENT

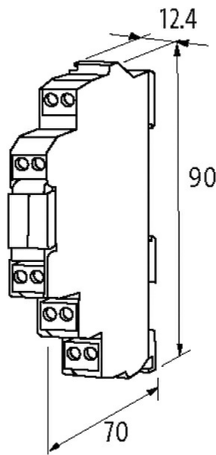
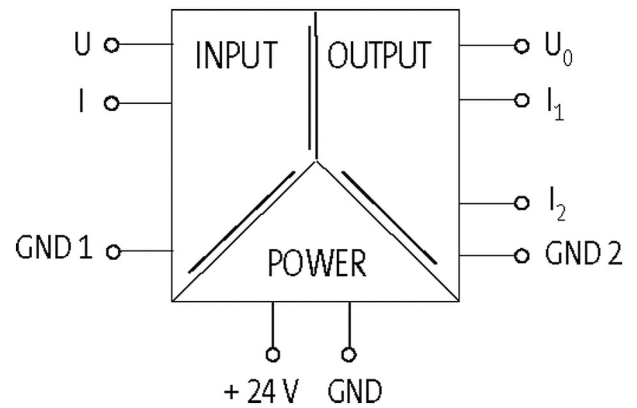
IN: -10...+10V/(0)4...20 mA - OUT: 0...10V/(0)4...20 mA

INPUT: 0...5 V DC, 0...10 V DC, ± 10 V DC

INPUT: 0...20 mA, 4...20 mA

Screw terminals

Input, output, and supply voltage galvanically separated

[Link to Product](#)**Illustration**

Product may differ from Image

General data

Mounting method	DIN-rail mountable (EN 60715)
Temperature range	-25...+50 °C
Test isolation voltage	0.75 kV
Dimensions HxWxD	90x12.4x70 mm

Description

Functional description

Due to an integrated current limiter on the output, the output is short circuit and overload protected. A special characteristic of the MULTI Converter Art.-No. 6644207 includes: Analog voltage signals 0...5 V/0...10 V and -10...+10 V and current signals 0.

Current outputs

Load	max. 400 Ω
------	-------------------

Commercial data

The information in this brochure has been compiled with the utmost care.

Liability for the correctness completeness and topicality of the information is restricted to gross negligence. Version: 03/22

Murrelektronik Ltd. | 5 Albion Street, Pendlebury Industrial Estate, Swinton | Manchester M27 4FG | Fon +44 161 728 3133 | Fax +44 161 728 3130 | shop@murrelektronik.co.uk | shop.murrelektronik.co.uk

country of origin	CZ
customs tariff number	85437090
EAN	4048879028479
eClass	27210990
Packaging unit	1.000
