

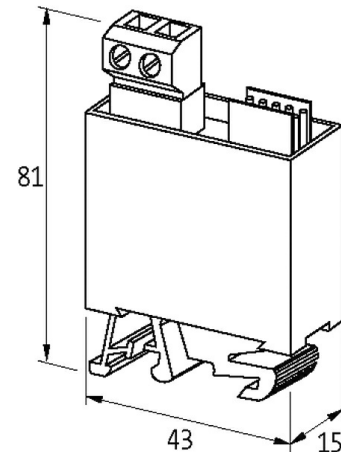
## MASI00 I/O MODULE

4 digital inputs, 4 digital outputs

Digital inputs/outputs  
DI4/DO4 - 0.2 A  
IP00

### [Link to Product](#)

#### Illustration



Product may differ from Image

#### Technical Data

Bus voltage (AS-Interface)	26.5...31.6 V DC
Total current (AS-Interface)	max. 250 mA
Addressing	1...31 via plug terminals
Address range	1...31
Profile (IO/ID/ID2 code)	S-7.F.F

#### General data

Protection	IP00
Mounting method	DIN-rail mountable (EN 60715)
Connection AS-Interface	Screw plug-in terminal: 0.2...2.5 mm <sup>2</sup>
Temperature range	0...+55 °C (storage temperature -20...+70 °C)
Dimensions H×W×D	43×15×81 mm

#### Output

Switching current per output	max. 0.2 A (short-circuit and overload protected)
Total current	max. 200 mA
Switch off time in case of short circuit	approx. 50 ms

#### Input

Sensor supply US	max. 200 mA from AS-Interface (short-circuit and overload protected)
Type	for standard switches

#### Diagnostic

Communication status	via LED
Diagnostic via LED	per module
Monitoring - no voltage	yes

#### Commercial data

country of origin	DE
customs tariff number	85176200

EAN	4048879050050
eClass	27242604
Packaging unit	1