

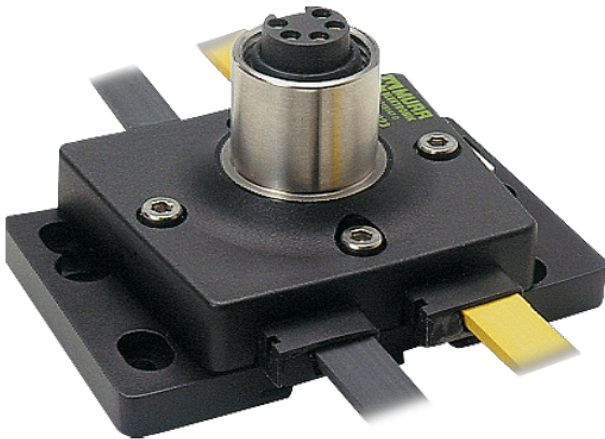
MASI67 INSTALLATION TECHNOLOGY

Converter 2x profile cable to 7/8" female

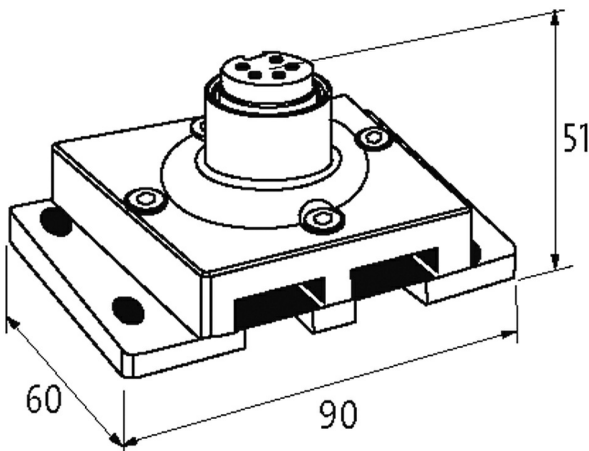
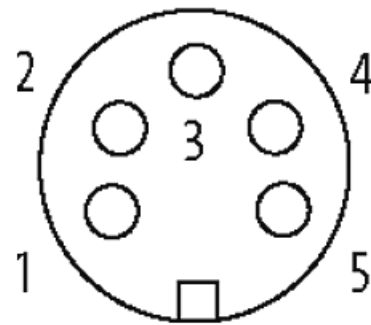
MASI67 converter
2x profile cable to 7/8" (female)
Connection cables are in the online shop under "Connection Technology".

[Link to Product](#)

Illustration



Female



Product may differ from Image



Technical Data

Operating voltage	max. 36 V DC
Total current	max. 8 A

General data

Test isolation voltage	AS-Interface/Power 200 V, (EN 60664-1)
Protection	IP67
Mounting method	DIN-rail mountable (EN 60715) or screw fixing

Temperature range	-20...+60 °C (storage temperature -40...+80 °C)
-------------------	---

Dimensions H×W×D	90×74×52 mm
------------------	-------------

Contact Layout

PIN 1	AS-Interface + (brown)
-------	------------------------

PIN 2	AS-Interface - (blue)
-------	-----------------------

PIN 3	n.c.
-------	------

PIN 4	+24 V (brown)
-------	---------------

PIN 5	0 V (blue)
-------	------------

Commercial data

country of origin	DE
-------------------	----

customs tariff number	85369010
-----------------------	----------

EAN	4048879052160
-----	---------------

eClass	27400209
--------	----------

Packaging unit	1
----------------	---