

TELEMECANIQUE CONTACTOR SUPPRESSOR

RC, 24-48VAC/DC

24 V AC/DC

48 V AC/DC

RC

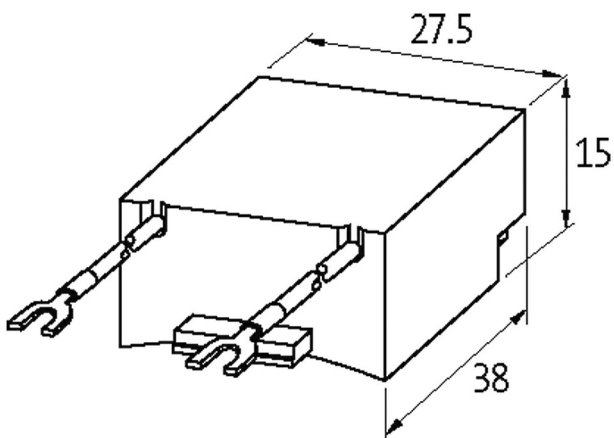
For other configurations and voltages, please inquire.

[Link to Product](#)

Illustration



RC



Product may differ from Image



Technical Data

Input voltage	12...70 V AC/DC
Material	Flame retardant plastic acc. to (UL 94)
Damping factor	approx. 1.5x UN
Connection wires	self-securing cable forks

General data

Temperature range	-20...+70 °C
-------------------	--------------

Dimensions H×W×D 15×27.5×38 mm

Appropriate contactors

LC 1 D09...D38, LC 1 DT20, DT40, LC 2 D09...D38

Commercial data

country of origin	CZ
customs tariff number	85363010
EAN	4048879010214
eClass	27371013
Packaging unit	1.000