

**Valve plug MJC 0° with cable**

RADOX EM 104 2x0.75 bk 20m

Female straight

2-pole

max. 230 V AC/DC

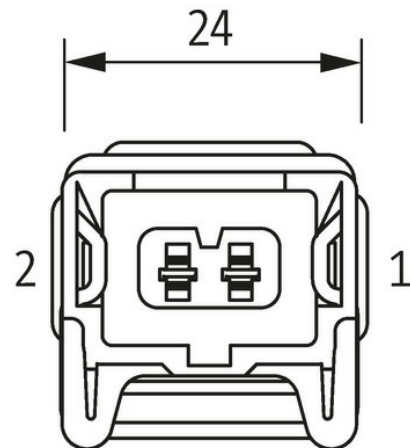
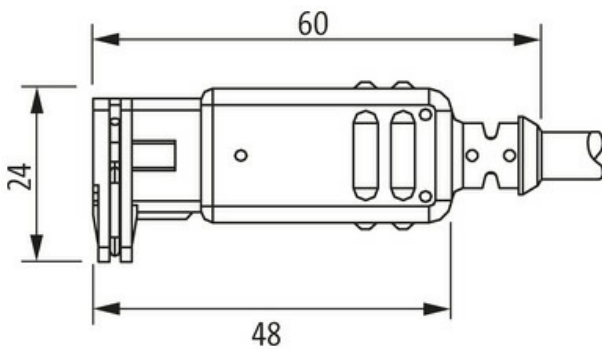
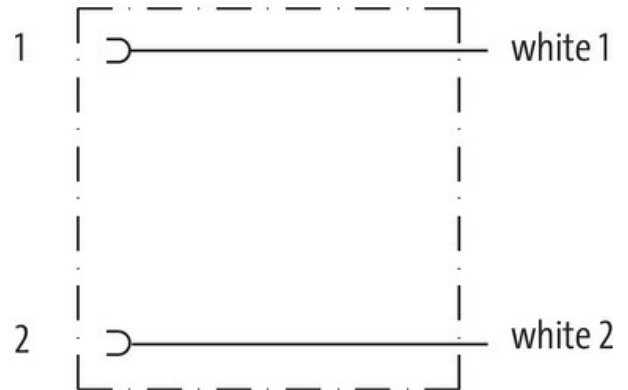
without components

with cable sleeves

Plastic housings with good resistance against chemicals and oils.

The resistance to aggressive media should be individually tested for your application. Further details on request.

Further cable lengths on request.

**[Link to Product](#)****Illustration**

Product may differ from Image

**Form**

Form 70001

**Technical Data**

Operating voltage max. 230 V AC/DC

Rated surge voltage 4.0 kV

Operating current per contact max. 4 A

suitable for corrugated tube (internal Ø) 10 mm

Housing Black plastic, flame retardant

| General data                        |                              |
|-------------------------------------|------------------------------|
| Pollution Degree                    | 3                            |
| Stripping length (jacket)           | 50 mm                        |
| Cables                              |                              |
| Cable identification                | R21                          |
| Approval (cable)                    | DIN EN 45545-2, CE conform   |
| Cable weight [g/m]                  | 48,4 g                       |
| Material (wire)                     | Cu wire, tin plated          |
| Resistor (core)                     | max. 26 $\Omega$ /km (20 °C) |
| Single wire $\varnothing$ (core)    | 0.23 mm                      |
| Construction (core)                 | 19× 0.23 mm                  |
| Diameter (core)                     | 2× 0.75 mm <sup>2</sup>      |
| AWG                                 | similar to AWG 18            |
| Material (wire isolation)           | Radox EI 303                 |
| Wire- $\varnothing$ incl. isolation | 1.62 mm $\pm$ 5%             |
| Color/numbering of wires            | wh (bk num)                  |
| Stranding combination               | 2 wires twisted              |
| Shield                              | no                           |
| Material (jacket)                   | Radox EM 104                 |
| Outer- $\varnothing$ (jacket)       | 4.75 mm $\pm$ 5%             |
| Color (jacket)                      | black                        |
| Jacket Color                        | black                        |
| Nominal voltage                     | 600/1000 V AC                |
| Test voltage                        | 3500 V AC                    |
| Current load capacity               | according to DIN VDE 0298-4  |
| Temperature range (fixed)           | -50...+120 °C                |
| Temperature range (mobile)          | -25...+90 °C                 |
| Bend radius (fixed)                 | 3× outer- $\varnothing$      |
| Bend radius (moving)                | 4× outer- $\varnothing$      |
| Commercial data                     |                              |
| country of origin                   | DE                           |
| customs tariff number               | 85444290                     |
| EAN                                 | 4048879690942                |
| eClass                              | 27279218                     |
| Packaging unit                      | 1.000                        |