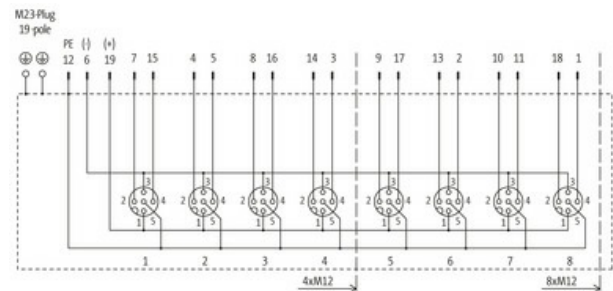
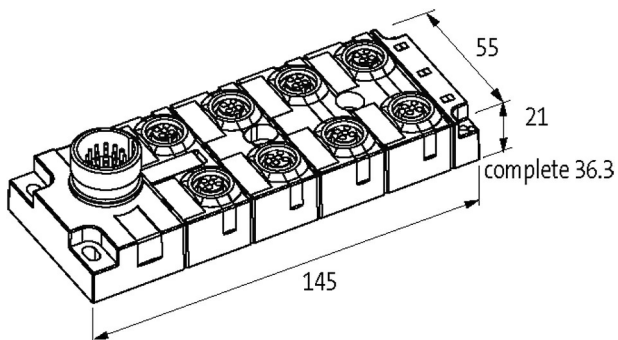


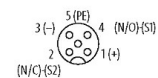
MVP-METALL, 8XM12, 5POLE, M23 19POL. CON.

Connector exit frontside

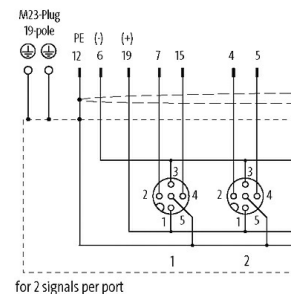
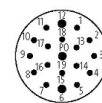
8-way, 5-pole
 M23 plug connection, 19-pole
 without LED for analog signals up to 125 V AC/DC
 Replaces identical product (Art.No. 27536)
 M12 contacts 1, 2, 3, 4 single wired; common PE

Link to Product**Illustration**

M12-Females 5-pole



M23-Plug 19-pole



Product may differ from Image

**Technical Data**

Operating voltage	max. 125 V AC/DC
Operating current per contact	max. 4 A
Protection	IP65, IP67, IP68
Housing	Zinc die casting, matte nickel plated
Total current	max. 7.5 A

General data

Temperature range	-25...+80 °C
-------------------	--------------

Contact Layout

PIN 1	(+)
-------	-----

PIN 2	(NC)/(S2)
PIN 3	(-)
PIN 4	(NO)/(S1)
PIN 5	(Earth)
Shield	via M12 outer thread and M23 outer thread

Commercial data

country of origin	CZ
customs tariff number	85369010
EAN	4048879352895
eClass	27279219
Packaging unit	1.000