

**MSUD valve plug A-18mm with cable**

PUR 4x0.75 gy UL/CSA 2m

MSUD

Form A (18 mm)

0...230 V AC/DC

without components

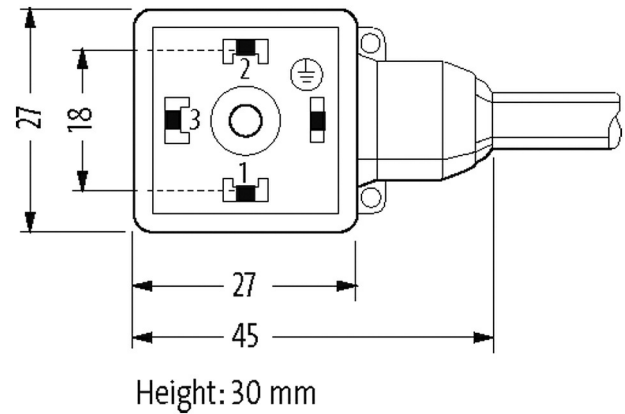
4-pole

PE opposite cable entry (180°)

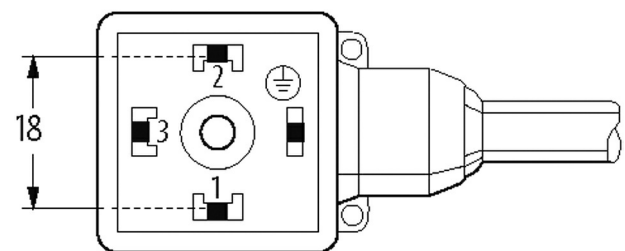
Further cable lengths on request.

Plastic housings with good resistance against chemicals and oils.

The resistance to aggressive media should be individually tested for your application. Further details on request.

**Link to Product****Illustration**

Product may differ from Image

**Form**

Form 18112

**Technical Data**

Operating voltage max. 230 V AC/DC

|                               |                                 |
|-------------------------------|---------------------------------|
| Operating current per contact | max. 10 A                       |
| Rated surge voltage           | 4.0 kV                          |
| Material group                | IEC 60664-1, category I         |
| Locking of ports              | M3 (recommended torque 0.4 Nm)  |
| Protection                    | IP67                            |
| Locking material              | Steel (galvanized)              |
| Material                      | PBT                             |
| Housing                       | Black plastic (gray on request) |

**General data**

|                   |  |
|-------------------|--|
| Pollution Degree  | 3  |
| Material (gasket) | PUR                                      |
| Temperature range | -25...+85 °C, depending on cable quality |

**Cables**

|                                    |  |
|------------------------------------|--|
| No./diameter of wires              | 4× 0.75 mm <sup>2</sup>  |
| Wire isolation                     | PVC (bk num, gnye)   |
| C-track properties                 | 2 Mio.   |
| Material (jacket)                  | PUR/PVC (UL/CSA)   |
| Outer Ø                            | 7.0 mm ±5%   |
| Bend radius (moving)               | 15× outer Ø  |
| Temperature range (fixed)          | -30...+80 °C   |
| Temperature range (mobile)         | -5...+80 °C  |
| Cable identification               | 227  |
| Cable Type                         | 2 (PUR/PVC)  |
| Approval (cable)                   | UL (AWM-Style 20549/1731), CSA; CE conform   |
| Cable weight [g/m]                 | 80,19  |
| Material (wire)                    | Cu wire, bare  |
| Resistor (core)                    | max. 26 Ω/km (20 °C)   |
| Single wire Ø (core)               | 0.15 mm  |
| Construction (core)                | 42× 0.15 mm (multi-strand wire class 6)  |
| Diameter (core)                    | 4× 0.75 mm <sup>2</sup>  |
| AWG                                | similar to AWG 18  |
| Material (wire isolation)          | PVC  |
| Material property (wire isolation) | CFC-, cadmium-, silicone- and lead-free  |
| Shore hardness (wire isolation)    | 43 ±5 D  |
| Wire-Ø incl. isolation             | 1.8 mm ±5%   |
| Color/numbering of wires           | bk numbered, gnye longitudinally striped   |
| Stranding combination              | 4 wires twisted  |
| Shield                             | no   |
| Material (jacket)                  | PUR/PVC  |
| Material property (jacket)         | CFC-, halogen-, cadmium-, silicone- and lead-free, matt, low-adhesion, machine easy to process, abrasion-resistant, hydrolysis and microbial resistant |
| Shore hardness (jacket)            | 80 ±5 A (PVC-under jacket); 85 ±5 A (PUR-jacket)   |
| Outer-Ø (jacket)                   | 7.0 mm ±5%   |
| Color (jacket)                     | gray   |
| chemical resistance                | good resistance to oil, gasoline and chemicals   |
| Nominal voltage                    | UL 300 V AC  |
| Test voltage                       | 2000 V AC  |
| Current load capacity              | to DIN VDE 0298-4  |
| Temperature range (fixed)          | -30...+80 °C   |
| Temperature range (mobile)         | -5...+80 °C  |
| Bend radius (fixed)                | 10× outer Ø  |
| Bend radius (moving)               | 15× outer Ø  |
| No. of bending cycles (C-track)    | max. 2 Mio. (25 °C)  |

The information in this brochure has been compiled with the utmost care.

Liability for the correctness completeness and topicality of the information is restricted to gross negligence. Version: 03/22

|                               |                         |
|-------------------------------|-------------------------|
| Traversing distance (C-track) | max. 5 m (horizontal)   |
| Travel speed (C-track)        | max. 3.3 m/s            |
| Acceleration (C-track)        | max. 5 m/s <sup>2</sup> |
| Jacket Color                  | gray                    |

**Commercial data**

|                       |               |
|-----------------------|---------------|
| country of origin     | CZ            |
| customs tariff number | 85444290      |
| EAN                   | 4048879190930 |
| eClass                | 27279218      |
| Packaging unit        | 1             |