

Push Pull RJ45 male 8 pole field-wireable

Male straight

The resistance to aggressive media should be individually tested for your application. Further details on request.

RJ45

PROFINET

Ethernet CAT5

8-pole, shielded

Field-wireable

Insulation displacement technology IDC

Push Pull

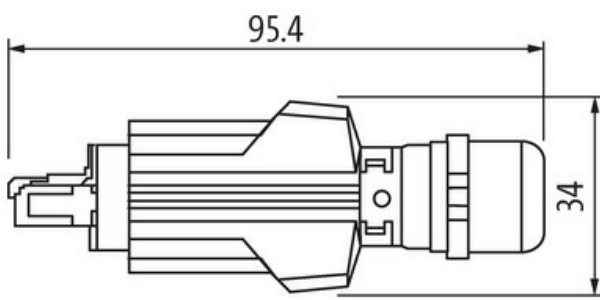
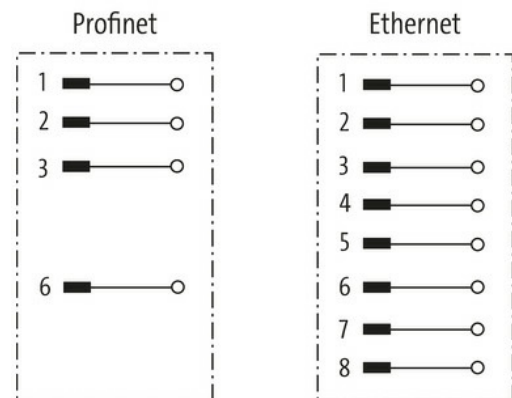
Plastic housings with good resistance against chemicals and oils.

Link to Product

Illustration

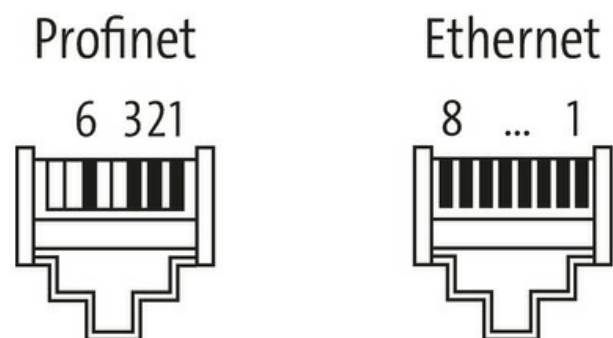


Male

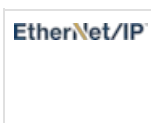


Width: 22.7 mm

Male



Product may differ from Image



Form

Form

99591

Technical Data

Operating current per contact	max. 1.75 A
No. of poles	8
Transfer parameters	CAT5, Class D (ISO/IEC 11801:2002), (EN 50173-1)
Transfer rate	max. 1 GBit/s
Frequency	max. 100 MHz
Mating cycles	≥ 750
Connection cross section	rigid: 0.23...0.32 mm ² (AWG 22...23); flexible: 0.23...0.32 mm ² (AWG 22...23)
Sealing range (cable Ø)	5.5...10.0 mm
Protection	IP65 and IP67 when plugged and screwed down (EN 60529)

General data

Material (gasket)	NBR
Temperature range	-40...+70 °C

Commercial data

country of origin	DE
customs tariff number	85366990
EAN	4048879728577
eClass	27279221
Packaging unit	1.000