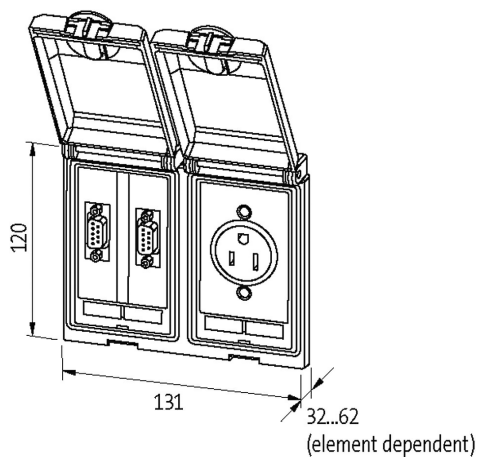


Modlink MSDD-set: Frame 4000-68123-0000000,
insert 4000-68000-1100000 + 4000-68000-0010000

Link to Product

Illustration



Product may differ from Image

Frame	
suitable for mounting with wall thickness	1...5 mm
Protection	IP65
Temperature range	-10...+60 °C (storage temperature -25...+60 °C)
Housing	Zinc die-casting, with surface finishing
RJ45	
Operating current (UL Rating)	max. 175 mA
Locking of ports	Snap In
Connection front side	RJ45
Connection rear side	RJ45
Operating voltage (UL Rating)	max. 30 V AC/42.4 V DC
Specification	CAT5e, Class D, 100 MHz, (EN 50173-1)
RJ12	
Operating voltage	max. 48 V AC/DC
Connection front side	RJ12
Connection rear side	RJ12
Locking of ports	Snap In
Operating current	max. 1 A
Operating voltage (UL Rating)	max. 30 V AC/42.4 V DC
Operating current (UL Rating)	max. 175 mA
Germany (VDE)	
Connection	Screw terminals: max. 2× 6 mm ² (AWG 10)
Operating voltage	250 V AC
No. of poles	2 + PE
LED display	yellow
Operating current	16 A
SUB-D25	
Locking of ports	UNC 4...40 bolt
Operating current	3 A
Connection rear side	SUB-D (male)
Connection front side	SUB-D (female)
Operating voltage	48 V AC/DC
Operating current (UL Rating)	max. 175 mA
Operating voltage (UL Rating)	max. 30 V AC/42.4 V DC
No. of poles	25-pole
Commercial data	
country of origin	CZ
customs tariff number	85389099
EAN	4048879034074
eClass	27189217
Packaging unit	1.000