

**IMPACT67 E DIO12 DIO4/IOL4 4P**

IMPACT67 EthernetIP compact module, plastic housing,

Digital inputs/outputs

DIO12 IOL4

Ethernet 10/100 Mbit/s; M12, D-coded

7/8", 4-pole, 2× max. 9 A

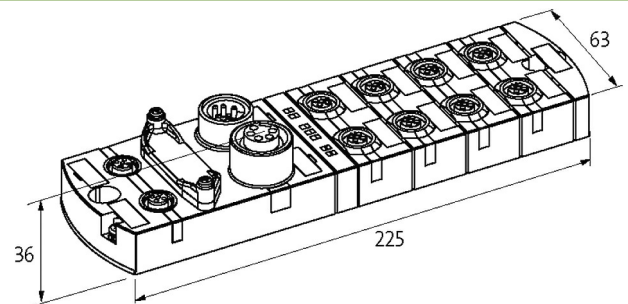
M12, 5-pole, A-coded

DLR (Device Level Ring)

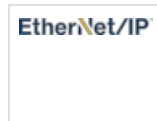
IO-Link Master V1.1.2

Connection cables are in the online shop under "Connection Technology".

Housing fully potted.

**Link to Product****Illustration**

Product may differ from Image

**General data**

Mounting method	2-hole screw mounting, compatible with I/O modules of MVK model range
Temperature range	-25...+55 °C (storage temperature -40...+85 °C)
Protection	IP67
Dimensions H×W×D	39×63×225 mm

**Output**

Lamp load	10 W
Actuator supply UA	24 V DC (EN 61131-2), max. 9 A
Switching current per output	max. 1.6 A (short-circuit and overload protected)

**Input**

Sensor supply US	24 V DC (EN 61131-2), max. 200 mA (M12 female), short-circuit and overload protected
Type	for 3-wire sensors or mechanical switches, PNP, IO-Link Devices

**IO-Link**

Port Class	Class B (not galvanically separated)
IO-Link	4× Master
Transfer parameters	32 Byte (In) 32 Byte (Out) per IO-Link port
Operating modes	COM1; COM2; COM3 (automatic)

**Parameterization**

PIN 4	Input/Output (port X0...X7); IO-Link Master (port X4...X7)
PIN 2	Input/Output (port X0...X7); U-Actuator IO-Link Class B (port X4...X7)

The information in this brochure has been compiled with the utmost care.

Liability for the correctness completeness and topicality of the information is restricted to gross negligence. Version: 03/22

Murrelektronik Ltd. | 5 Albion Street, Pendlebury Industrial Estate, Swinton | Manchester M27 4FG | Fon +44 161 728 3133 | Fax +44 161 728 3130 | shop@murrelektronik.co.uk | shop.murrelektronik.co.uk

**Connections**

Fieldbus	Ethernet 10/100 Mbit/s; M12, D-coded
Sensor-system/actuator supply	7/8", 4-pole, 2× max. 9 A
I/O ports	M12, 5-pole, A-coded

**EtherNet/IP**

Multiple connections	yes
QC (Quick Connect)	max. 360 ms
CIP Sync	yes
Composite Test Revision	CT14
Addressing	DHCP, BOOTP or IP address by DIP switch
DLR (Device Level Ring)	yes

**Diagnostic**

Communication status	via LED
Diagnostic via LED	per module and channel
Diagnostic via BUS	per module and channel
Actuator warning	per channel via LED and BUS
Monitoring - under voltage	yes
Monitoring - no voltage	yes
Cable break	per IO-Link Master

**Commercial data**

country of origin	DE
customs tariff number	85389099
EAN	4048879699754
eClass	27242604
Packaging unit	1.000