

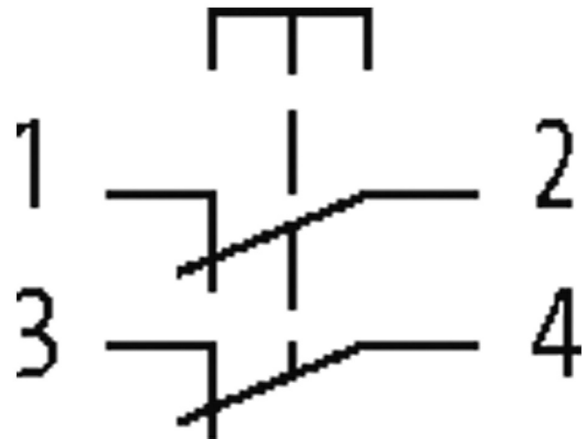
SAFETY WIRING SYSTEM

EMERGENCY OFF PUSH BUTTON with M12

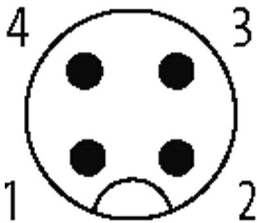
E-Stop 72 2NC M12(4)
with M12 connection
4-pole
Emergency-Stop button
2 NC (positively-opening)

[Link to Product](#)

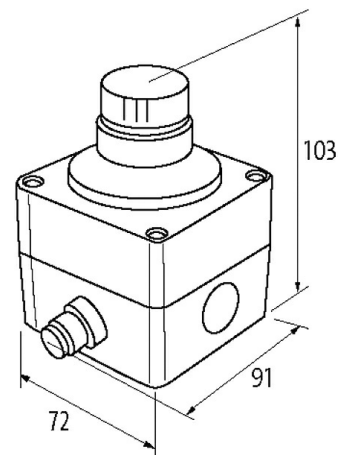
Illustration



Male



PIN 1: N/C 1
PIN 2: N/C 1
PIN 3: N/C 2
PIN 4: N/C 2



Product may differ from Image

Technical Data

Contact bounce time	max. 9 ms
Switching capacity	30 A (AC 15); 2.2 A (DC 13)

General data

Mounting method	screw fixing
Material (contact)	Ag Ni
Temperature range	-25...+60 °C (storage temperature -25...+85 °C)
Lambda (d)	20% (N/C)
B10d	250 000
Mech./ elect. life	1 000 000 operations, load-temperature dependent

Protection	IP65
Connection	M12 (4-pole)
Dimensions H×W×D	103×72×91 mm
Contact Layout	
PIN 1	N/C 1
PIN 2	N/C 1
PIN 3	N/C 2
PIN 4	N/C 2
Utilization category	
AC-15	3 A (250 V AC)
DC-13	2 A (24 V DC)
Commercial data	
country of origin	DE
customs tariff number	85365080
EAN	4048879050654
eClass	27371244
Packaging unit	1.000