

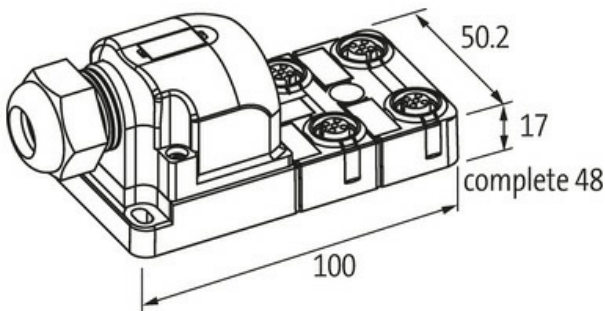
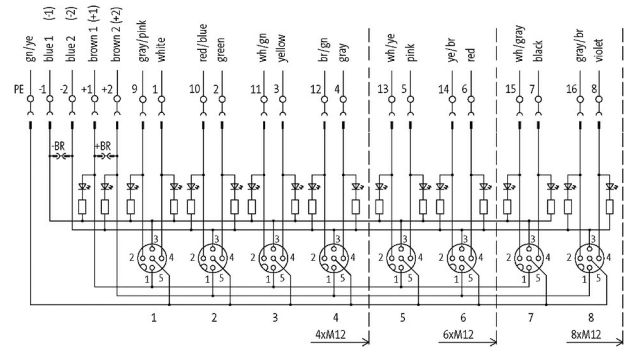
MVP12, 4XM12, 5POLE, PLUGGABLE CABLE

15.0m PUR/PVC 8x0,34+3x0,75

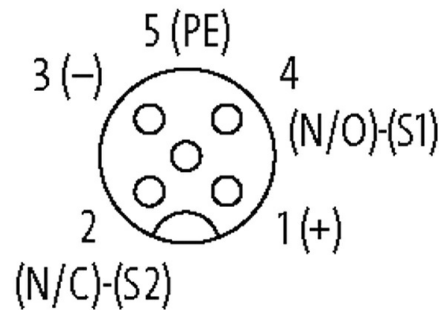
4-way, 5-pole
 PUR/PVC
 15.0 m
 with LED for digital PNP-signals 24 V DC

[Link to Product](#)

Illustration



M12 Females 5-pole



Product may differ from Image



UL
 UL

Technical Data

| | |
|-------------------------------|--|
| Operating voltage | 24 V DC ±25% |
| Operating current per contact | max. 4 A |
| Protection | IP65 and IP67 when plugged and screwed down (EN 60529) |
| Material | PBT |
| Housing | Plastic, flame retardant |
| Signal per port | 2 |
| Total current | max. 8 A |

General data

| | |
|-------------------|--------------|
| Temperature range | -20...+80 °C |
|-------------------|--------------|

The information in this brochure has been compiled with the utmost care. Liability for the correctness completeness and topicality of the information is restricted to gross negligence. Version: 03/22

Dimensions H×W×D 100×50.2×17 mm

Cables

| | |
|------------------------------------|--|
| No./diameter of wires | 8× 0.34 + 3× 0.75 mm ² |
| Wire isolation | PVC |
| C-track properties | 2 Mio. |
| Outer Ø | 8.1 mm ±5% |
| Cable identification | 363 |
| Cable Type | 2 (PUR/PVC) |
| Cable number | 363 |
| Approval (cable) | UL (AWM-Style 21441/10955), CE conform |
| Cable weight [g/m] | 115,5 g |
| Material (wire) | Cu wire, bare |
| Resistor (core) | max. 57 Ω/km (0.34 mm ²), max. 26 Ω/km (0.75 mm ²); (20 °C) |
| Single wire Ø (core) | 0.15 mm (0.34 mm ²); 0.2 mm (0.75 mm ²) |
| Construction (core) | 19× 0.15 mm (0.34 mm ²); 24× 0.2 mm (0.75 mm ²); (multi-strand wire class 5) |
| Diameter (core) | 8× 0.34 + 3× 0.75 mm ² |
| AWG | similar to AWG 22 (0.34 mm ²); similar to AWG 18 (0.75 mm ²) |
| Material (wire isolation) | PVC |
| Material property (wire isolation) | CFC-, cadmium-, silicone- and lead-free |
| Shore hardness (wire isolation) | 43 ±5 D |
| Wire-Ø incl. isolation | 1.3 mm ±5% (0.34 mm ²); 1.8 mm ±5% (0.75 mm ²) |
| Color/numbering of wires | wh, ye, gr, grpk, rdbl, gn, whgn, brgn+bl, br, gnye longitudinally striped |
| Shield | no |
| Material (jacket) | PUR/PVC |
| Shore hardness (jacket) | 87 ±5 A |
| Outer-Ø (jacket) | 8.1 mm ±5% |
| Color (jacket) | gray |
| Cable labeling | see frame delivery specifications 7000-00000-001 |
| Jacket Color | gray |
| chemical resistance | good resistance to oil, gasoline and chemicals (EN 60811-404) |
| Nominal voltage | U0/U 300/300 V AC |
| Test voltage | 2000 V AC |
| Current load capacity | to DIN VDE 0298-4 |
| Temperature range (fixed) | -30...+80 °C |
| Temperature range (fixed) | -30...+80 °C |
| Temperature range (mobile) | -5...+70 °C |
| Temperature range (mobile) | -5...+70 °C |
| Bend radius (fixed) | 5× outer Ø |
| Bend radius (moving) | 10× outer Ø |
| Bend radius (moving) | 10× outer Ø |
| No. of bending cycles (C-track) | max. 2 Mio. (25 °C) |
| Travel speed (C-track) | max. 2 m/s |
| Acceleration (C-track) | max. 10 m/s ² |
| Material (jacket) | PUR/PVC (UL/CSA) |

Commercial data

| | |
|-----------------------|---------------|
| country of origin | CZ |
| customs tariff number | 85444290 |
| EAN | 4048879064514 |
| eClass | 27279219 |
| Packaging unit | 1.000 |