

**M12 male 90° A-cod. / MSUD valve plug CI-9.4mm**

PUR 3x0.75 bk UL/CSA+drag ch. 0.3m

Form CI (9.4 mm) – M12, male 90°

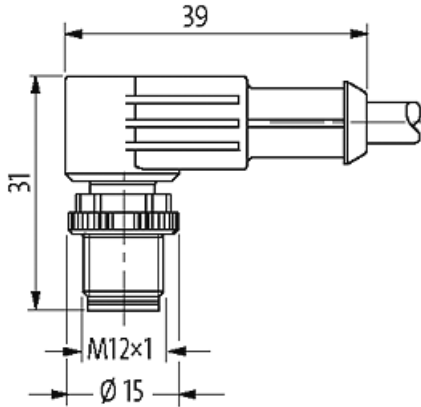
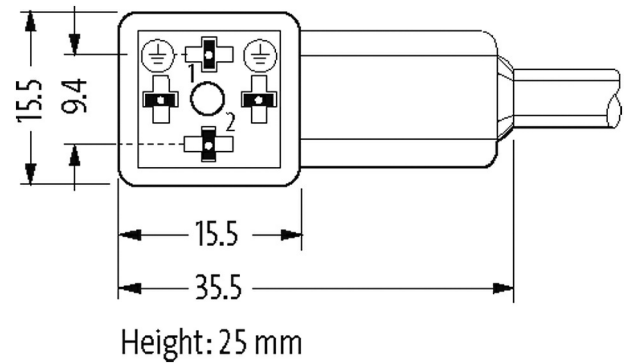
24 V AC  $\pm 20\%$  / DC  $\pm 25\%$ 

LED and suppression

Further cable lengths on request.

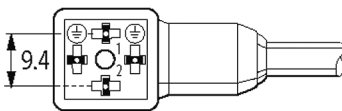
Plastic housings with good resistance against chemicals and oils.

The resistance to aggressive media should be individually tested for your application. Further details on request.

**[Link to Product](#)****Illustration**

Female

Male



Product may differ from Image

**Form**

Form

41061

| Technical Data                      |  |
|-------------------------------------|--|
| Operating voltage                   | 24 V AC $\pm 20\%$ / DC $\pm 25\%$   |
| Operating current per contact       | max. 4 A   |
| Switch off peak                     | max. 55 V  |
| Switch off delay time               | max. 20 ms   |
| LED display                         | (yellow)   |
| Current consumption                 | approx. 12 mA  |
| Housing                             | Black plastic (gray on request)  |
| Locking of ports                    | M3/M12 $\times$ 1 mm (recommended torque 0.4/0.6 Nm)   |
| Protection                          | IP66K, IP67 inserted and tightened (EN 60529)  |
| Rated surge voltage                 | 0.8 kV   |
| General data                        |  |
| Temperature range                   | -25...+85 °C, depending on cable quality   |
| Cables                              |  |
| No./diameter of wires               | 3 $\times$ 0.75 mm <sup>2</sup>  |
| Wire isolation                      | PP (bk num, gnye)  |
| C-track properties                  | 10 Mio.  |
| Material (jacket)                   | PUR (UL/CSA)   |
| Outer $\varnothing$                 | 5.9 mm $\pm 5\%$   |
| Bend radius (moving)                | 10 $\times$ outer $\varnothing$  |
| Temperature range (fixed)           | -40...+80 °C   |
| Temperature range (mobile)          | -25...+80 °C   |
| Cable identification                | 636  |
| Cable Type                          | 3 (PUR)  |
| Approval (cable)                    | cURus (AWM-Style 20549/10493); CE conform  |
| Cable weight [g/m]                  | 56,10  |
| Material (wire)                     | Cu wire, bare  |
| Resistor (core)                     | max. 26 $\Omega$ /km (20 °C)   |
| Single wire $\varnothing$ (core)    | 0.15 mm  |
| Construction (core)                 | 42 $\times$ 0.15 mm (multi-strand wire class 6)  |
| Diameter (core)                     | 3 $\times$ 0.75 mm <sup>2</sup>  |
| AWG                                 | similar to AWG 18  |
| Material (wire isolation)           | PP   |
| Material property (wire isolation)  | CFC-, halogen-, cadmium-, silicone- and lead-free  |
| Shore hardness (wire isolation)     | 70 $\pm 5$ D   |
| Wire- $\varnothing$ incl. isolation | 1.85 mm $\pm 5\%$  |
| Color/numbering of wires            | bk numbered, gnye longitudinally striped   |
| Stranding combination               | 3 wires twisted  |
| Shield                              | no   |
| Material (jacket)                   | PUR  |
| Material property (jacket)          | CFC-, halogen-, cadmium-, silicone- and lead-free, matt, low-adhesion, machine easy to process, abrasion-resistant, hydrolysis and microbial resistant |
| Shore hardness (jacket)             | 90 $\pm 5$ A   |
| Outer- $\varnothing$ (jacket)       | 5.9 mm $\pm 5\%$   |
| Color (jacket)                      | black  |
| chemical resistance                 | good resistance to oil, gasoline and chemicals (EN 60811-404)  |
| thermal resistance                  | flame retardand UL 1581 Section 1090 (H), CSA FT2 / IEC 60332-2-2  |
| Nominal voltage                     | 300 V AC   |
| Test voltage                        | 2500 V AC  |
| Current load capacity               | to DIN VDE 0298-4  |
| Temperature range (fixed)           | -40...+80 °C, (+90 °C at max. 10 000 operating hours)  |
| Temperature range (mobile)          | -25...+80 °C, (+90 °C at max. 10 000 operating hours)  |
| Bend radius (fixed)                 | 5 $\times$ outer $\varnothing$   |
| Bend radius (moving)                | 10 $\times$ outer $\varnothing$  |

The information in this brochure has been compiled with the utmost care.

Liability for the correctness completeness and topicality of the information is restricted to gross negligence. Version: 03/22

|                                 |                          |
|---------------------------------|--------------------------|
| No. of bending cycles (C-track) | max. 10 Mio. (25 °C)     |
| Travel speed (C-track)          | max. 3 m/s               |
| Acceleration (C-track)          | max. 10 m/s <sup>2</sup> |
| Torsion stress                  | ±180°/m                  |
| No. of torsion cycles           | max. 2 Mio. (25 °C)      |
| Torsion speed                   | 35 cycles/min            |
| Jacket Color                    | black                    |

**Commercial data**

|                       |               |
|-----------------------|---------------|
| country of origin     | CZ            |
| customs tariff number | 85444290      |
| EAN                   | 4048879146388 |
| eClass                | 27279218      |
| Packaging unit        | 1             |