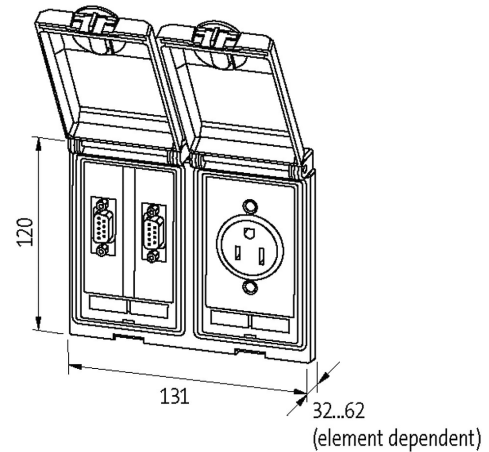


MODLINK MSDD FRAME DBL METAL

Nicked

Frame: metal, matte nickel plated

Lid: metal, matte nickel plated

[Link to Product](#)**Illustration**

Product may differ from Image

**Frame**

suitable for mounting with wall thickness	1...5 mm
Protection	IP65
Temperature range	-10...+60 °C (storage temperature -25...+60 °C)
Housing	Zinc die-casting, with surface finishing

General data

Shielded	yes
Dimensions H×W×D	120×130×35 mm

Commercial data

country of origin	DE
customs tariff number	85389099
EAN	4048879035286
eClass	27189217
Packaging unit	1.000