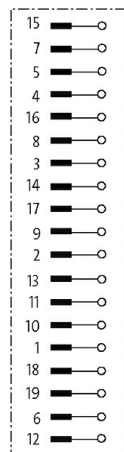
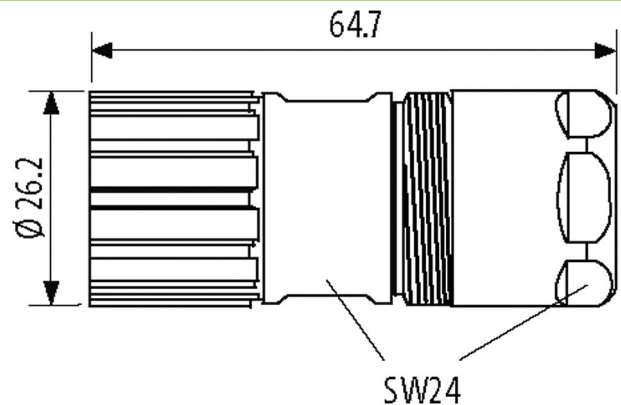


## M23 male 0° field-wireable solder pins

Male straight  
M23, 19-pole  
Solder connection  
Cap nut

### [Link to Product](#)

#### Illustration



Product may differ from Image

#### Form

Form 23281

#### Technical Data

Operating voltage	max. 100 V AC
Operating current per contact	max. 8 A
Connection cross section	max. 1 mm <sup>2</sup>
Sealing range (cable Ø)	3...17 mm
Connection	Solder buckets
Protection	IP67 inserted and tightened (EN 60529)

#### General data

Temperature range -40...+125 °C

#### Commercial data

country of origin CZ

customs tariff number	85366990
EAN	4048879324113
eClass	27279221
Packaging unit	1