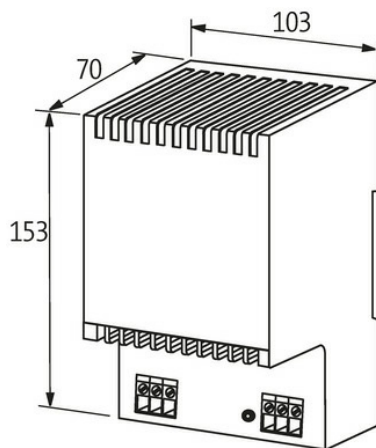
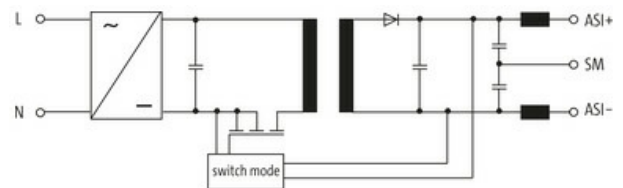
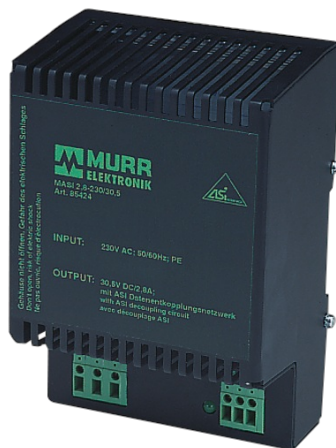


**MASI ASI POWER SUPPLY 1-PHASE,**

IN: 230VAC OUT: 30,5V/2,8ADC

INPUT: 230 V AC  
 Current: 2.8 A  
 Single-phase, primary switched  
 Protection IP20

[Link to Product](#)**Illustration**

Product may differ from Image

**General data**

Standards	IEC 61010-2-201, EN 61204-3, EN 55022 B
Mounting method	DIN-rail mountable TH35 (EN 60715)
Temperature range	-10...+60 °C
AS-Interface	Unit complies to AS-Interface specification for power supplies (PELV)
Protection	IP20
Efficiency	85%

The information in this brochure has been compiled with the utmost care.  
 Liability for the correctness completeness and topicality of the information is restricted to gross negligence. Version: 03/22

<b>Output</b>	
Output voltage	30.5 V DC (SELV), $\pm 3\%$
Output rating	85.4 W
LED display	LED (green) for output voltage
Output suppression	Filter acc. to AS-Interface specification
Output current	max. 2.8 A
Mains failure bridging time	min. 30 ms (230 V AC)
Ripple	max. 50 mV ss/pp
Unit protection	short-circuit and overload protected
<b>Input</b>	
Input voltage	230 V AC
Primary fusing external	max. 10 A (T)
Input current	0.8 A
Inrush current after 1 ms	max. 20 A
Frequency	50...60 Hz
<b>Commercial data</b>	
country of origin	CZ
customs tariff number	85044090
EAN	4048879079815
eClass	27049002
Packaging unit	1.000