

IMPACT67 COMPACT MODULE, PLASTIC

CANopen, 8 dig. Out

Digital outputs

DO8 - 2 A

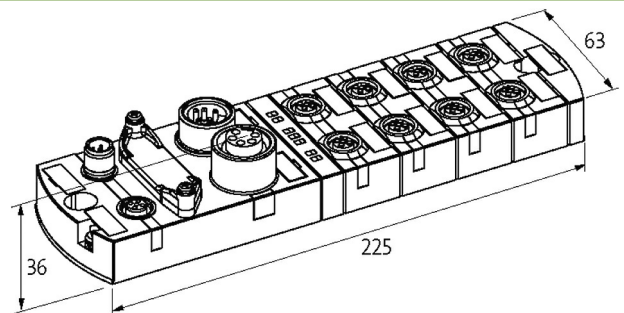
CAN 1 Mbit/s; M12, A-coded

7/8", 5-pole, 2× max. 9 A

M12, 5-pole, A-coded

Connection cables are in the online shop under "Connection Technology".

Housing fully potted.

[Link to Product](#)**Illustration**

Product may differ from Image

**General data**

Mounting method	2-hole screw mounting, compatible with I/O modules of MVK model range
Temperature range	-25...+70 °C (storage temperature -25...+70 °C)
Protection	IP67
Dimensions H×W×D	39×63×225 mm

Output

Switching current per output	max. 2 A (short-circuit and overload protected)
------------------------------	---

Connections

Fieldbus	CAN 1 Mbit/s; M12, A-coded
Sensor-system/actuator supply	7/8", 5-pole, 2× max. 9 A
I/O ports	M12, 5-pole, A-coded

CANopen

Addressing	Rotary switch 1...99
------------	----------------------

Diagnostic

Communication status	via LED
Diagnostic via LED	per module and channel
Diagnostic via BUS	per module and channel
Monitoring - under voltage	yes
Monitoring - no voltage	yes

Commercial data

country of origin	DE
customs tariff number	85389099

EAN	4048879052016
eClass	27242604
Packaging unit	1.000