

**M12 male 90° / M12 female 90° A-cod.**

PUR 3x0.34 ye UL/CSA 1.5m

Male 90° – female 90°

M12 – M12, 3-pole

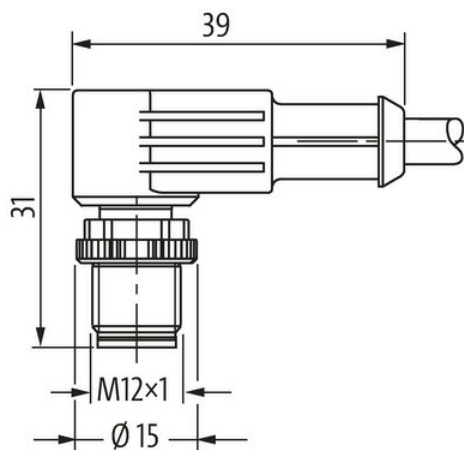
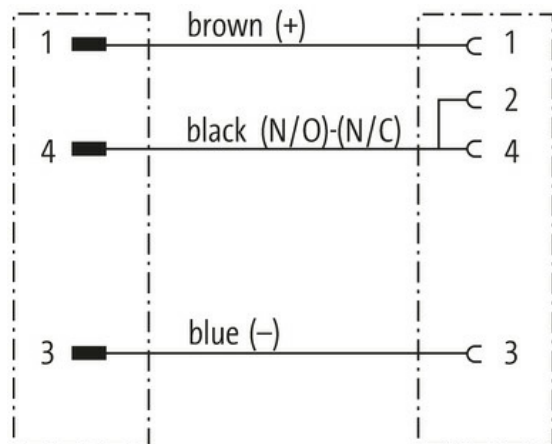
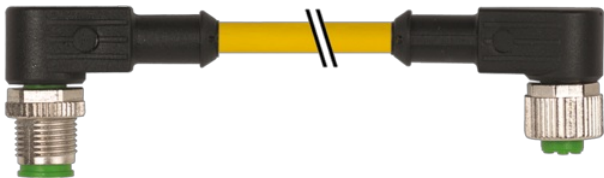
bridged

Art-No. 7005 - M12 Lite - (plastic hexagonal screw) on request

Plastic housings with good resistance against chemicals and oils.

The resistance to aggressive media should be individually tested for your application. Further details on request.

Further cable lengths on request.

[Link to Product](#)**Illustration**

## Male



## Female



Product may differ from Image



\* only for products with UL/CSA approved cable

**Form**

Form 40301

**Technical Data**

|   |  |
|---|--|
| Operating voltage                         | max. 250 V AC/DC   |
| Operating voltage (only UL listed)        | max. 30 V AC/DC  |
| Operating current per contact             | max. 4 A   |
| Material group                            | IEC 60664-1, category I  |
| Coding                                    | A-coded  |
| Locking of ports                          | Screw thread (M12×1 mm) recommended torque 0.6 Nm, self-securing |
| Compression gland                         | M12 (SW13)   |
| Protection                                | IP66K, IP67 inserted and tightened (EN 60529)                    |
| Material                                  | PUR  |
| Locking material                          | Zinc die casting, matte nickel plated                            |
| suitable for corrugated tube (internal Ø) | 10 mm  |

**General data**

|                   |  |
|-------------------|--|
| Standards         | DIN EN 61076-2-101 (M12)                 |
| Pollution Degree  | 3  |
| Temperature range | -25...+85 °C, depending on cable quality |

**Cables**

|                                    |  |
|------------------------------------|--|
| Cable identification               | 023  |
| Cable Type                         | 2 (PUR/PVC)                                |
| Approval (cable)                   | UL (AWM-Style 20549/1731), CSA; CE conform |
| Cable weight [g/m]                 | 35,97 g                                    |
| Material (wire)                    | Cu wire, bare                              |
| Resistor (core)                    | max. 57 Ω/km (20 °C)                       |
| Single wire Ø (core)               | 0.1 mm                                     |
| Construction (core)                | 42× 0.1 mm (multi-strand wire class 6)     |
| Diameter (core)                    | 3× 0.34 mm <sup>2</sup>                    |
| AWG                                | similar to AWG 22                          |
| Material (wire isolation)          | PVC  |
| Material property (wire isolation) | CFC-, cadmium-, silicone- and lead-free    |
| Shore hardness (wire isolation)    | 43 ±5 D                                    |
| Wire-Ø incl. isolation             | 1.25 mm ±5%                                |
| Color/numbering of wires           | br, bk, bl                                 |
| Stranding combination              | 3 wires twisted                            |
| Shield                             | no   |

The information in this brochure has been compiled with the utmost care.

Liability for the correctness completeness and topicality of the information is restricted to gross negligence. Version: 03/22

Murrelektronik Ltd. | 5 Albion Street, Pendlebury Industrial Estate, Swinton | Manchester M27 4FG | Fon +44 161 728 3133 | Fax +44 161 728 3130 | shop@murrelektronik.co.uk | shop.murrelektronik.co.uk

|                                 |  |
|---------------------------------|--|
| Material (jacket)               | PUR/PVC  |
| Material property (jacket)      | CFC-, halogen-, cadmium-, silicone- and lead-free, matt, low-adhesion, machine easy to process, abrasion-resistant, hydrolysis and microbial resistant |
| Shore hardness (jacket)         | 80 ±5 A (PVC-under jacket); 85 ±5 A (PUR-jacket)   |
| Outer-Ø (jacket)                | 4.3 mm ±5%   |
| Color (jacket)                  | yellow   |
| chemical resistance             | good resistance to oil, gasoline and chemicals   |
| Nominal voltage                 | UL 300 V AC  |
| Test voltage                    | 2000 V AC  |
| Current load capacity           | to DIN VDE 0298-4  |
| Temperature range (fixed)       | -30...+80 °C   |
| Temperature range (mobile)      | -5...+80 °C  |
| Bend radius (fixed)             | 10× outer Ø  |
| Bend radius (moving)            | 15× outer Ø  |
| No. of bending cycles (C-track) | max. 2 Mio. (25 °C)  |
| Travel speed (C-track)          | max. 3.3 m/s   |
| Acceleration (C-track)          | max. 5 m/s <sup>2</sup>  |

#### Commercial data

|                       |          |
|-----------------------|----------|
| country of origin     | DE       |
| customs tariff number | 85444290 |
| eClass                | 27061801 |
| Packaging unit        | 1.000    |