

**EXACT12, 4XM12, 4 POLE BASIC HOUSING**

Without homerun-cable

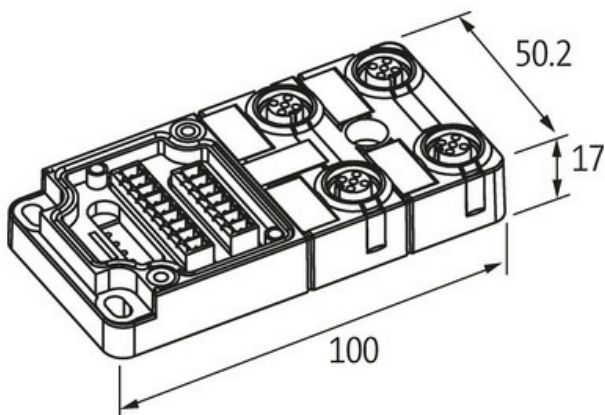
4-way, 4-pole

Form PNP

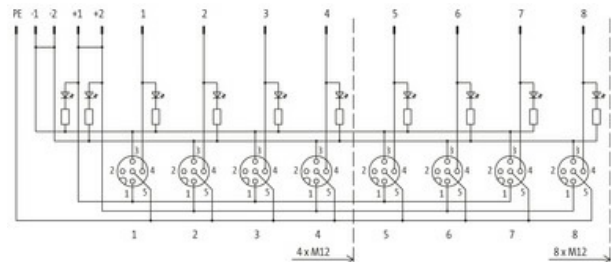
Screw plug-in terminals

Plastic housings with good resistance against chemicals and oils.

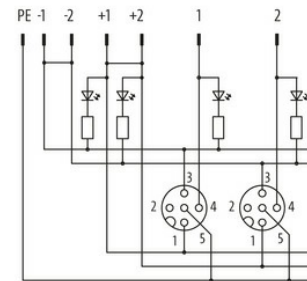
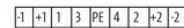
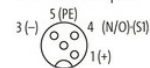
The resistance to aggressive media should be individually tested for your application. Further details on request.

**Link to Product****Illustration**

Product may differ from Image



M12-Females 4-pole



for 1 signal per port

**Technical Data**

Operating voltage	24 V DC
Operating current per contact	max. 4 A
Protection	IP65/IP67
Housing	Plastic, flame retardant
Total current	max. 8 A

**General data**

Temperature range	-20...+70 °C
-------------------	--------------

**Contact Layout**

PIN 1	(+)
-------	-----

PIN 3	(-)
PIN 4	(NO)/(S1)
PIN 5	(Earth)
	LED (green): Power / LED (yellow): (S1)

**Commercial data**

country of origin	DE
customs tariff number	85369010
EAN	4048879056083
eClass	27279219
Packaging unit	1.000