

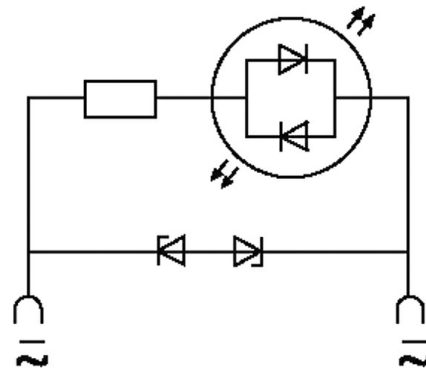
VALVE PLUG SUPPRESSOR FORM B - 10MM

Zener diode and LED, 24VDC/100VA/W

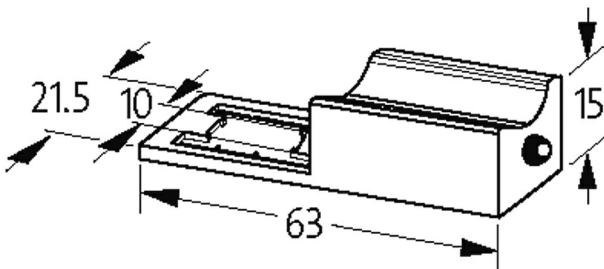
24 V AC/DC

Z-Diode + LED

with suppression

Remove plug gasket when fitting adapter. Other LED colors on request.
suitable for 0 and 180° installation**[Link to Product](#)****Illustration**

LED + Zenerdiode



Product may differ from Image

Technical Data

Switch off peak	max. 55 V
LED display	(yellow opac)
Input voltage	18...30 V AC/DC
max. power (W)	max. 100 W (VA)
Switch off delay time	max. 20 ms

General data

Material (contact)	Silvered bronze
Temperature range	-20...+60 °C
Housing	Polyamide black, flame retardant, temperature resistance up to 130 °C
Dimensions HxWxD	15x63x21.5 mm

Commercial data

country of origin	CZ
customs tariff number	85363010
EAN	4048879011495

eClass	27371013
Packaging unit	1.000
