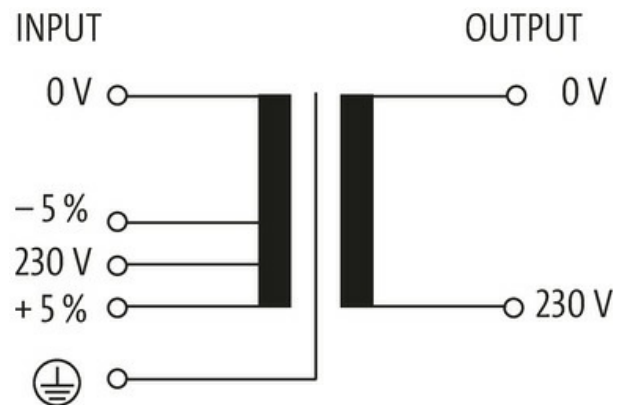


MET 1-PHASE CONTROL AND ISOLATION TRANSFORMER

P: 1000VA IN: 230VAC+/- 5% OUT: 230VAC

Single-phase - Control and Isolation Transformers
 1000 VA
 Spring clamp terminals
 Isolation class T 60/B

[Link to Product](#)**Illustration**

Product may differ from Image

**General data**

Standards	EN 61558-1, EN 61558-2-4, EN 62041 category 0
Mounting method	Key-hole mounting
Temperature range	-20...+60 °C (storage temperature -40...+80 °C)
Test isolation voltage	4 kV (prim./sec.)
Drill hole Ø	7×11 mm
Fixing centers a×b×c	111.5×135×7 mm

The information in this brochure has been compiled with the utmost care.
 Liability for the correctness completeness and topicality of the information is restricted to gross negligence. Version: 03/22

Dimensions H×W×D 138×174×160 mm

Output

Output voltage 230 V AC

Output rating 1000 VA

Input

Input voltage 230 V AC ±5%

Inrush current 110 A (230 V AC)

Short-circuit current 138 A (230 V AC)

Input current 4.64 A (230 V AC)

Frequency 50...60 Hz

Commercial data

country of origin CZ

customs tariff number 85043180

EAN 4048879066396

eClass 27031302

Packaging unit 1.000