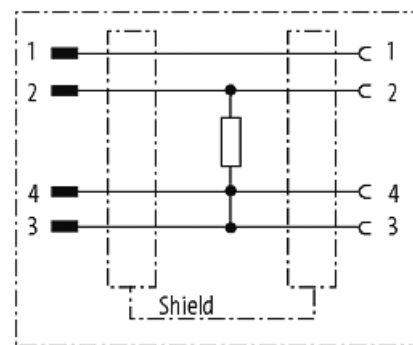
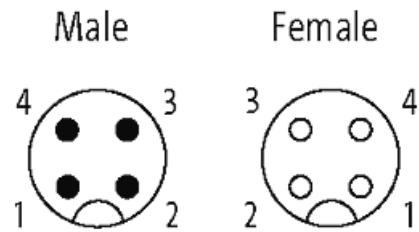
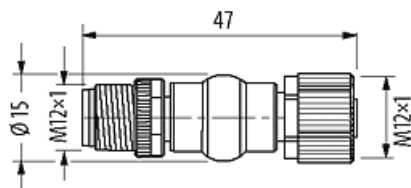


**ADAPTOR M12 MALE/ M12 FEMALE 4 POLES SHIELDED, I TO U**

Adapter  
 Male - female  
 M12 – M12, 4-pole  
 shielded  
 Current /voltage converter

[Link to Product](#)**Illustration**

Product may differ from Image

**Form**

Form 42251

**Technical Data**

Operating voltage	max. 30 V AC/DC
Operating voltage (only UL listed)	max. 30 V AC/DC
Rated surge voltage	0.8 kV
Operating current per contact	max. 4 A
Locking of ports	Screw thread (M12x1 mm) recommended torque 0.6 Nm, self-securing
Protection	IP67 inserted and tightened (EN 60529)
Locking material	Zinc die casting, matte nickel plated
Material	PUR
Application	Current /voltage converter

**General data**

Shielded yes

Temperature range	-25...+85 °C
-------------------	--------------

Test isolation voltage	0.8 kV eff/rms
------------------------	----------------

**Commercial data**

country of origin	DE
-------------------	----

customs tariff number	85366990
-----------------------	----------

EAN	4048879143189
-----	---------------

eClass	27143423
--------	----------

Packaging unit	1
----------------	---