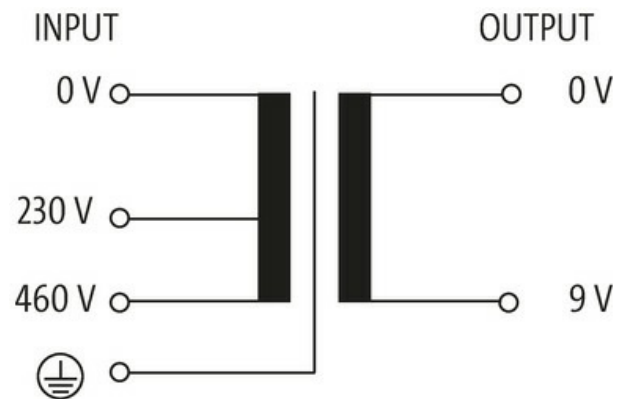


**MST SINGLE-PHASE SAFETY TRANSFORMER**

P:40VA IN:230/460VAC OUT:9VAC

Single-phase - Control and Isolation Transformers  
 40 VA  
 Isolation class T 40/B  
 Other voltages on request.

[Link to Product](#)**Illustration**

Product may differ from Image

**General data**

Standards	EN 61558-1, EN 61558-2-6, EN 62041 category 0
Mounting method	Key-hole mounting
Temperature range	-20...+40 °C (storage temperature -40...+80 °C)
Test isolation voltage	4.8 kV
Fixing centers a×b×c	54×50×48 mm
Dimensions H×W×D	80×66×79 mm

**Output**

Output voltage	9 V AC
Output rating	40 VA

**Input**

The information in this brochure has been compiled with the utmost care.  
 Liability for the correctness completeness and topicality of the information is restricted to gross negligence. Version: 03/22

Input voltage	230/460 V AC
Inrush current	1.39 A (230 V AC)
Short-circuit current	1.76 A (230 V AC)
Input current	0.24 A (230 V AC); 0.12 A (460 V AC)
Frequency	50...60 Hz

**Commercial data**

country of origin	CZ
customs tariff number	85043180
EAN	4048879073837
eClass	27031202
Packaging unit	1.000