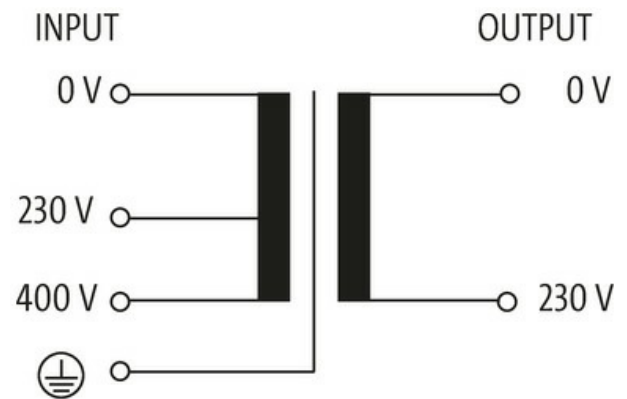


**MST 1-PHASE CONTROL AND ISOLATION TRANSFORMER**

P: 400VA IN: 230/400VAC OUT: 230VAC

Single-phase - Control and Isolation Transformers  
 400 VA  
 Isolation class T 40/B  
 Other voltages on request.

[Link to Product](#)**Illustration**

Product may differ from Image

**General data**

Standards	EN 61558-1, EN 61558-2-4, EN 62041 category 0
Mounting method	Key-hole mounting
Temperature range	-20...+40 °C (storage temperature -40...+80 °C)
Test isolation voltage	4 kV (prim./sec.)
Drill hole Ø	5.8×10 mm
Fixing centers a×b×c	86.5×90×5.8 mm

The information in this brochure has been compiled with the utmost care.  
 Liability for the correctness completeness and topicality of the information is restricted to gross negligence. Version: 03/22

Dimensions H×W×D 104×120×123 mm

**Output**

Output voltage 230 V AC

Output rating 400 VA

**Input**

Input voltage 230/400 V AC

Inrush current 52.3 A (230 V AC); 30.2 A (400 V AC)

Short-circuit current 43 A (230 V AC); 24.9 A (400 V AC)

Input current 1.95 A (230 V AC); 1.1 A (400 V AC)

Frequency 50...60 Hz

**Commercial data**

country of origin CZ

customs tariff number 85043180

EAN 4048879078665

eClass 27031302

Packaging unit 1.000