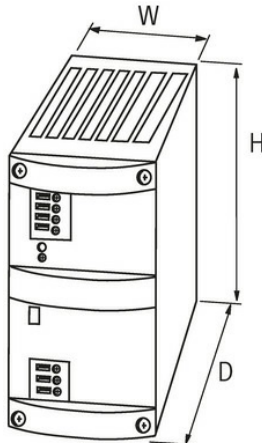
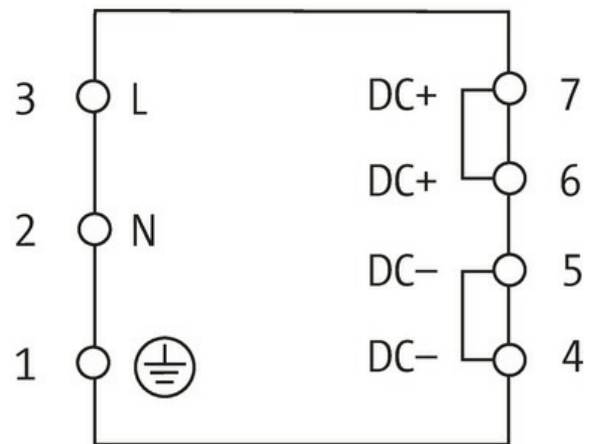


MCS POWER SUPPLY 1-PHASE,

IN: 90-265VAC OUT: 24-28V/10ADC

INPUT: 90...265 V AC
 OUTPUT: 24...28 V DC
 Current: 10 A

[Link to Product](#)**Illustration**

Product may differ from Image

**General data**

Standards	IEC 61010-2-201, EN 61204-3, EN 55022 B, EN 61000-3-2
Mounting method	DIN-rail mountable TH35 (EN 60715)
Temperature range	0...+60 °C (storage temperature -25...+85 °C)
Relative humidity	5...95%, no condensation
Efficiency	88% (115 V AC); 90% (230 V AC)
Dimensions H×W×D	127×68×204 mm

Output

The information in this brochure has been compiled with the utmost care.
 Liability for the correctness completeness and topicality of the information is restricted to gross negligence. Version: 03/22

Output voltage	24 V DC (SELV), $\pm 1\%$; 24...28 V adjustable
LED display	LED (green) for output voltage
Selectable switch-off mode	front sided plug link (automatic re-start or definite shut-off)
Output current	10 A (+60 °C, 90...265 V AC); 12 A (+40 °C, 110...265 V AC)
Mains failure bridging time	max. 13 A (230 V AC)
Ripple	max. 20 mV eff/rms
Spikes	max. 200 mV ss/pp
Unit protection	short-circuit and overload protected
Parallel usage/serial usage	max. 5 units/max. 2 units

Input

Input voltage	90...265 V AC/90...250 V DC
Primary fusing external	max. 10 A
Input current	2.7 A (100 V AC); 1.1 A (230 V AC)
Inrush current after 1 ms	max. 25 A
Frequency	50...60 Hz

Commercial data

country of origin	CZ
customs tariff number	85044090
EAN	4048879080668
eClass	27049002
Packaging unit	1.000