

M12 male 90° / M12 female 90° A-cod. shielded

PUR 4x0.5+2x0.25 shielded gn UL/CSA+drag ch. 16m

Cube67

Male 90° – female 90°

M12 – M12, 6-pole

A-coded

shielded

Hybrid cable

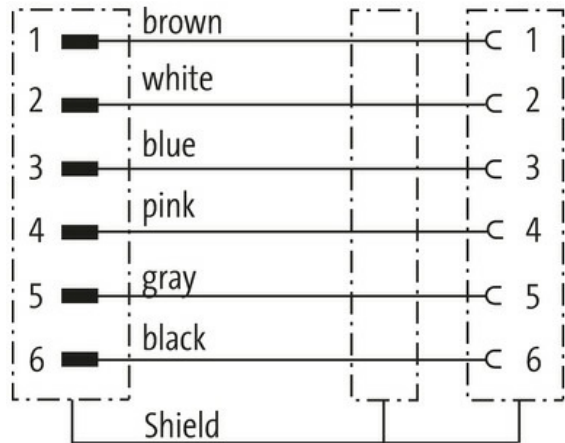
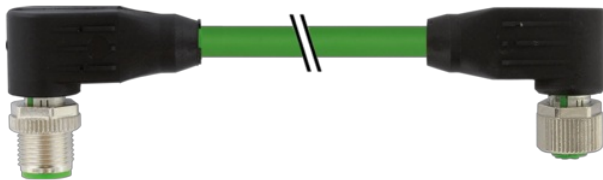
Plastic housings with good resistance against chemicals and oils.

The resistance to aggressive media should be individually tested for your application. Further details on request.

Further cable lengths on request.

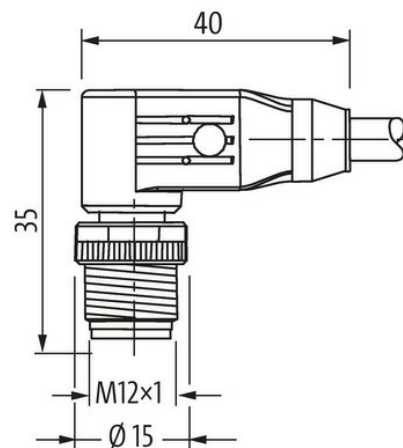
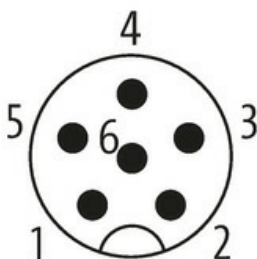
[Link to Product](#)

Illustration



Male

Female





Product may differ from Image



* only for products with UL/CSA approved cable

Form

Form 46061

Technical Data

| | |
|---|--|
| Operating voltage | max. 30 V AC/DC |
| Operating voltage (only UL listed) | 30 V AC/DC |
| Rated surge voltage | 0.8 kV |
| Operating current per contact | max. 4 A |
| No. of poles | 6 |
| Material group | IEC 60664-1, category I |
| Coding | A-coded |
| LED display | no |
| Locking of ports | Screw thread (M12x1 mm) recommended torque 0.6 Nm, self-securing |
| Compression gland | M12 (SW13) |
| Protection | IP65 and IP67 when plugged and screwed down (EN 60529) |
| Locking material | Zinc die casting, matte nickel plated |
| suitable for corrugated tube (internal Ø) | without |

General data

| | |
|----------------------------|--|
| Mounting method | inserted, tightened |
| Material (contact) | Copper alloy |
| Material (contact surface) | Au |
| Material (gasket) | FKM |
| Pollution Degree | 3 |
| Temperature range | -25...+85 °C, depending on cable quality |

Cables

| | |
|-----------------------|--|
| No./diameter of wires | 4x 0.5 + 2x 0.25 mm ² |
| Wire isolation | TPE (bl, wh, br, bk), (gr, pk) |
| C-track properties | 5 Mio. |
| Outer Ø | 7.9 mm ±5% |
| Cable identification | 802 |
| Approval (cable) | cRUus (AWM style 20549/10042); CE compliant |
| Cable weight [g/m] | 95,7 g |
| Material (wire) | Cu wire, bare |
| Single wire Ø (core) | 0.15 mm (0.5 mm ²); 0.1 mm (0.25 mm ²) |

The information in this brochure has been compiled with the utmost care.

Liability for the correctness completeness and topicality of the information is restricted to gross negligence. Version: 03/22

| | |
|---------------------------------|--|
| Construction (core) | 28× 0.15 mm (0.5 mm ²); 32× 0.1 mm (0.25 mm ²); (multi-strand wire class 6) |
| Diameter (core) | 4× 0.5 + 2× 0.25 mm ² |
| AWG | similar to AWG 20 (0.5 mm ²); similar to AWG 24 (0.25 mm ²) |
| Material (wire isolation) | TPE-E |
| Shore hardness (wire isolation) | 55 ±5 D |
| Wire-Ø incl. isolation | 1.5 mm ±5% (0.5 mm ²); 1.4 mm ±5% (0.25 mm ²) |
| Color/numbering of wires | (bl, wh, br, bk) + (gr, pk) |
| Shield | yes |
| optical shield cover | min. 80% |
| Material (jacket) | PUR |
| Material property (jacket) | CFC-, halogen-, cadmium-, silicone-free, matt, low-adhesion, machine easy to process, abrasion-resistant |
| Shore hardness (jacket) | 89 ±5 A |
| Outer-Ø (jacket) | 7.9 mm ±5% |
| Color (jacket) | green |
| Jacket Color | green |
| Nominal voltage | 300 V AC |
| Test voltage | 1500 V (wire/wire); 1200 V (wire/shield) |
| Temperature range (fixed) | -50...+80 °C |
| Temperature range (fixed) | -50...+80 °C |
| Temperature range (mobile) | -40...+80 °C |
| Temperature range (mobile) | -40...+80 °C |
| Bend radius (fixed) | 5× outer Ø |
| Bend radius (moving) | 10× outer Ø |
| Bend radius (moving) | 10× outer Ø |
| No. of bending cycles (C-track) | max. 5 Mio. (25 °C) |
| Travel speed (C-track) | max. 2 m/s |
| Torsion stress | ±180°/m |
| Material (jacket) | PUR (UL/CSA) |

Commercial data

| | |
|-----------------------|---------------|
| country of origin | HU |
| customs tariff number | 85444290 |
| EAN | 4048879139953 |
| eClass | 27061801 |
| Packaging unit | 1.000 |