

MVK-ME DIO16 4P

MVK EthernetIP compact module, metal housing,

Digital inputs/outputs

DIO16

Ethernet 10/100 Mbit/s; M12, D-coded

7/8", 4-pole, 2× max. 9 A

M12, 5-pole, A-coded

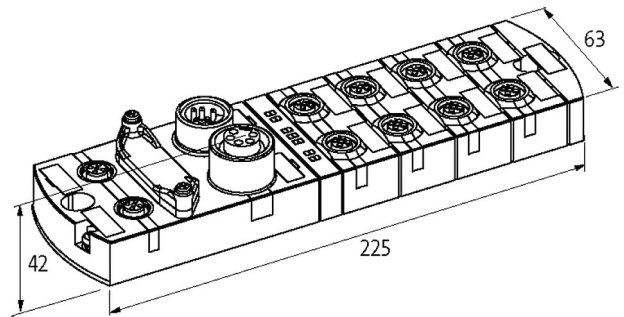
DLR (Device Level Ring)

Connection cables are in the online shop under "Connection Technology".

Housing fully potted.

[Link to Product](#)

Illustration



Product may differ from Image



General data

Mounting method	2-hole screw mounting
Temperature range	-25...+60 °C (storage temperature -40...+85 °C)
Protection	IP67
Dimensions H×W×D	42×63×225 mm

Output

Lamp load	10 W
Actuator supply UA	24 V DC (EN 61131-2), max. 9 A
Switching current per output	max. 1.6 A (short-circuit and overload protected)

Input

Sensor supply US	24 V DC (EN 61131-2), max. 200 mA (M12 female), short-circuit and overload protected
Type	for 3-wire sensors or mechanical switches, PNP

Parameterization

PIN 4	Input/Output (port X0...X7)
PIN 2	Input/Output (port X0...X7)

Connections

Fieldbus	Ethernet 10/100 Mbit/s; M12, D-coded
Sensor-system/actuator supply	7/8", 4-pole, 2× max. 9 A
I/O ports	M12, 5-pole, A-coded

EtherNet/IP

Multiple connections	yes
----------------------	-----

QC (Quick Connect)	max. 360 ms
CIP Sync	yes
Composite Test Revision	CT14
Addressing	DHCP, BOOTP or IP address by DIP switch
DLR (Device Level Ring)	yes

Diagnostic

Communication status	via LED
Diagnostic via LED	per module and channel
Diagnostic via BUS	per module and channel
Actuator warning	per channel via LED and BUS
Monitoring - under voltage	yes
Monitoring - no voltage	yes
Short-circuit and overload	yes

Commercial data

country of origin	DE
customs tariff number	85389099
EAN	4048879699914
eClass	27242604
Packaging unit	1.000