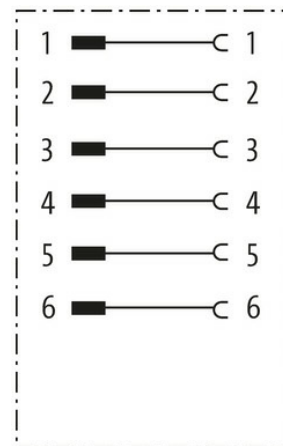
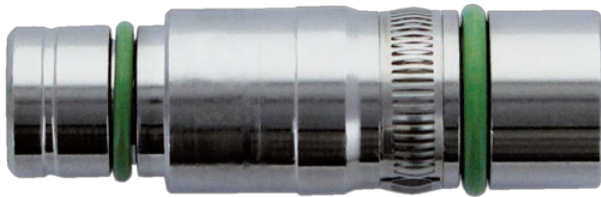


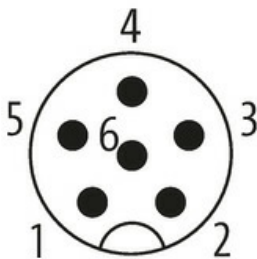
**MODL.VARIO insert for coupling housing type B**

6-pole M12, female, shielded

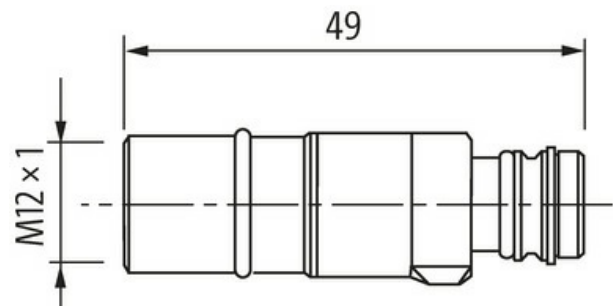
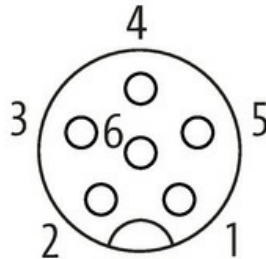
Insert - mobile housing  
 Female straight – male straight  
 M12, 6-pole  
 A-coded

[Link to Product](#)**Illustration**

Male



Female



Product may differ from Image

**Form**

Form 46116

**Technical Data**

Operating voltage	max. 30 V AC/DC
Rated surge voltage	0.8 kV
Operating current per contact	max. 4 A
No. of poles	6
Material group	IEC 60664-1, category I
Coding	A-coded
LED display	no
Locking of ports	Screw thread (M12x1 mm) recommended torque 0.6 Nm, self-securing
Compression gland	M12
Protection	IP65 and IP67 when plugged and screwed down (EN 60529)
Material	Brass, nickel plated

suitable for corrugated tube (internal Ø) without

**General data**

Standards	DIN EN 61076-2-101 (M12)
Mounting method	inserted, tightened
Material (contact)	Copper alloy
Material (contact surface)	Au
Material (gasket)	FKM
Pollution Degree	3
Temperature range	-25...+85 °C

**Commercial data**

country of origin	DE
customs tariff number	85366990
EAN	4048879576529
eClass	27260702
Packaging unit	1.000