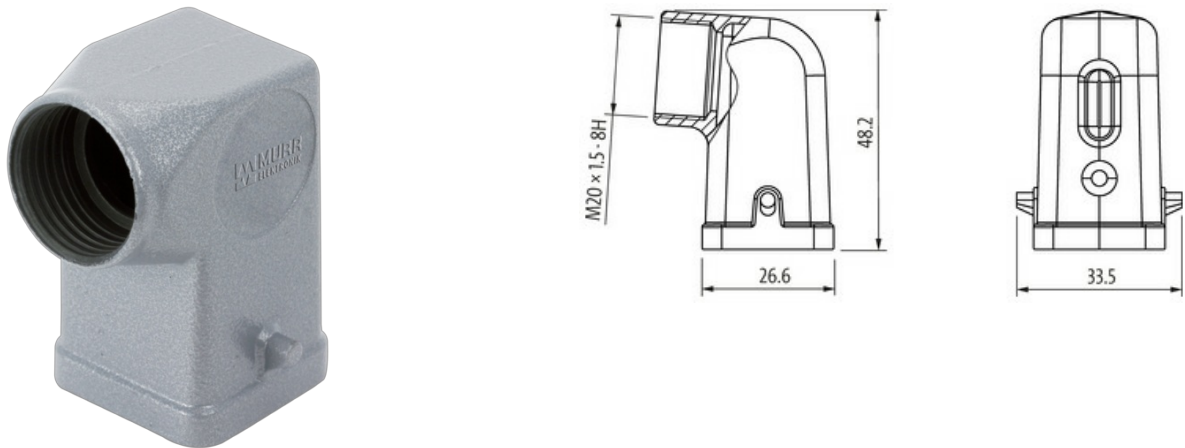


A3 Hood, IP65

Single locking lever, side entry M20

A3
Hood
Single locking lever
IP65

Technical data will be only guaranteed with Murrelektronik components.

[Link to Product](#)**Illustration**

Product may differ from Image

Technical Data

| | |
|----------------------|--|
| Mating cycles | min. 500 |
| Locking of ports | Single locking lever |
| Protection (housing) | IP65 inserted and tightened (EN 60529), with gland |

General data

| | |
|----------------------------|------------------------|
| Temperature range | -40...+100 °C |
| Material (housing) | Zinc die casting |
| Housing type | Hood |
| Threaded hole | M20 |
| Size | A3 |
| Cable outlet | laterally |
| Locking material | Steel (galvanized) |
| Climatic category | 40/100/21 (EN 60068-1) |
| Material (housing surface) | powder-coated |
| Dimensions H×W×D | 48.2×26.6×33.4 mm |

Commercial data

| | |
|-----------------------|---------------|
| country of origin | CZ |
| customs tariff number | 85389099 |
| EAN | 4048879716802 |
| eClass | 27279221 |
| Packaging unit | 1.000 |