

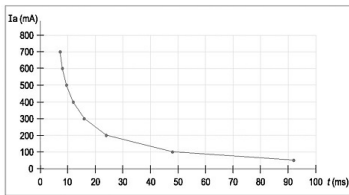
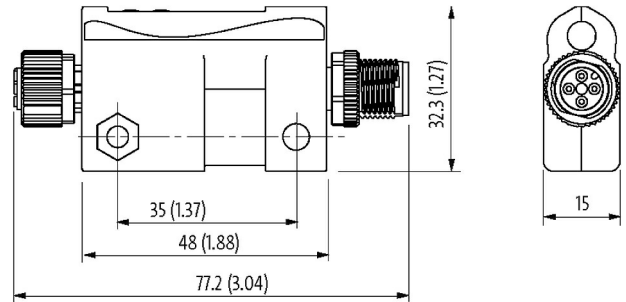
Adaptor M12 Male / M12 Female

Buffer module for DI (Pin 1-3)

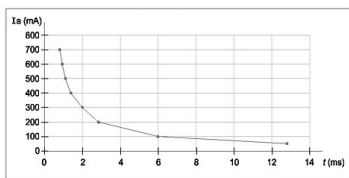
Adapter
Male - female
M12 – M12, 4-pole
max. 700 mA
94 μ F

Link to Product

Illustration

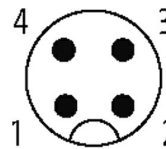


Buffering/Output (24 V to 0 V)



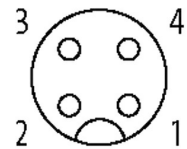
Buffering/Output (24 V to 18 V)

Male



PIN 1: 24 V DC
PIN 2: Input 1X
PIN 3: GND
PIN 4: Input 0X

Female



PIN 1: 24 V DC
PIN 2: Input 1X
PIN 3: GND
PIN 4: Input 0X

Product may differ from Image



Form

Form 55110

Technical Data

Operating voltage	24 V DC external (18...30.2 V DC) EN 61131-2
Protection	IP67 inserted and tightened (EN 60529)
Total current	max. 700 mA
Capacity	94 μ F

General data

Temperature range	-30...+70 °C (storage temperature -40...+85 °C)
-------------------	---

Relative humidity ≤ 85%

Commercial data

country of origin	DE
customs tariff number	85322100
EAN	4048879713467
eClass	27143423
Packaging unit	1