

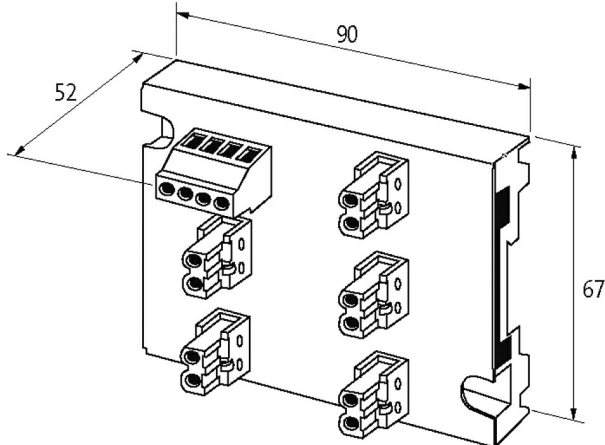
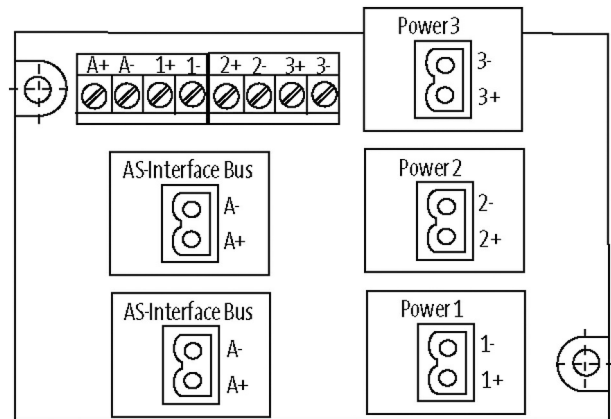
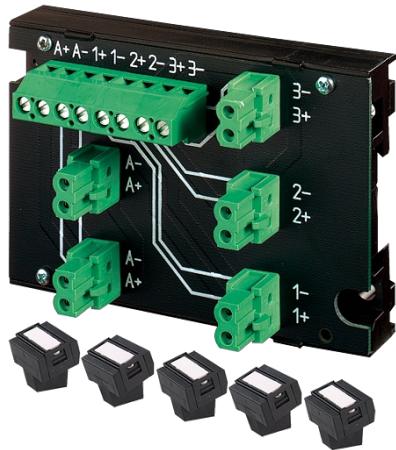
MASI20 INSTALLATION TECHNOLOGY

Distributor 2x AS-I and 3x extern power

2 AS-Interface + 3 power ports
potentially separated
5 plug terminals included

[Link to Product](#)

Illustration



Product may differ from Image



Technical Data

Operating voltage	max. 36 V DC
Current per connection	max. 8 A
Total current	max. 24 A

General data

Test isolation voltage	AS-Interface/Power 100 V, (EN 60664-1)
Protection	IP20

Connection	Screw terminal: single wire (0.25...4 mm ²), stranded wire (0.5...2.5 mm ²)
Mounting method	DIN-rail mountable (EN 60715)
Temperature range	-20...+70 °C (storage temperature -40...+80 °C)
Dimensions H×W×D	52×67×90 mm

Commercial data

country of origin	CZ
customs tariff number	85176200
EAN	4048879050593
eClass	27279219
Packaging unit	1