

M12 male 90° self wireable screw term.4-pol. 0,14 - 1,5mm², 2,5-8mm cable diameter

Male 90°

M12, 4-pole

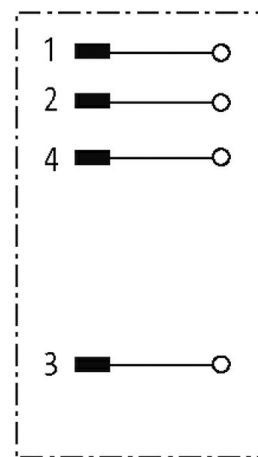
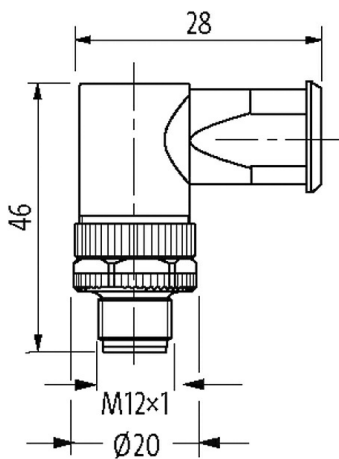
Screw terminals

Plastic housings with good resistance against chemicals and oils.

The resistance to aggressive media should be individually tested for your application. Further details on request.

[Link to Product](#)**Illustration**

Male



Product may differ from Image

**Technical Data**

Operating voltage	max. 250 V AC/DC
Operating current per contact	max. 7.5 A (+40 °C; 1.5 mm ²)
Connection cross section	0.14...1.5 mm ²
Sealing range (cable Ø)	2.5...8.0 mm
Locking of ports	Screw thread (M12×1 mm) recommended torque 0.6 Nm

Protection	IP67 inserted and tightened (EN 60529)
------------	--

Mating cycles	≥ 100
---------------	-------

General data

Pollution Degree	3/2
------------------	-----

Temperature range	-30...+85 °C
-------------------	--------------

Dimensions H×W×D	46×28,5×20 mm
------------------	---------------

Commercial data

country of origin	CZ
-------------------	----

customs tariff number	85366990
-----------------------	----------

EAN	4048879839112
-----	---------------

eClass	27279221
--------	----------

Packaging unit	1
----------------	---