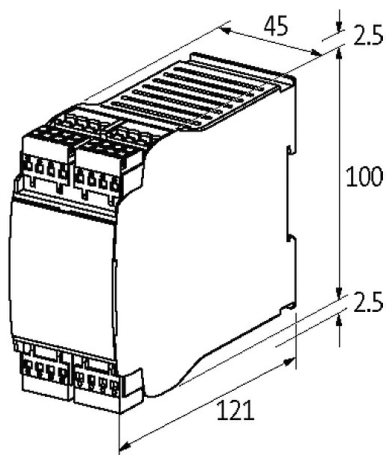
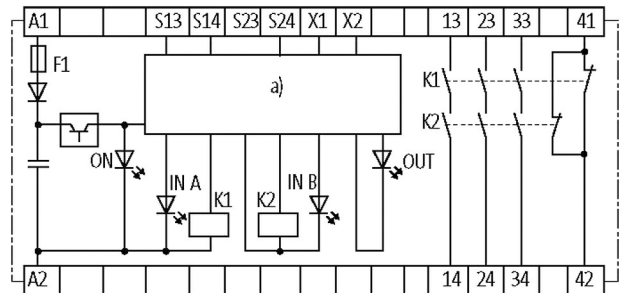


MIRO SAFE+ STEP 24

24 VAC/DC - 3 N/O contact / 1 N/C contact

8 A
 Protection-door control
 Pressure-sensitive mat. control
 Automatic/manual reset/start
 Screw terminals

[Link to Product](#)**Illustration**

Product may differ from Image

**General data**

Mounting method	DIN-rail mountable (EN 60715)
Temperature range	-25...+60 °C (storage temperature -40...+85 °C)
Mech./ elect. life	10 000 000 switching cycles/load dependent
Connection	Spring clamp plug-in terminals
Dimensions H×W×D	100×45×121 mm

Output	
No. of alarm outputs	0
Contact material	Ag Sn O, self cleaning, positively driven
Switching voltage	max. 250 V AC/DC
No. of safety contacts	3 - (13-14); (23-24); (33-34)
No. of auxiliary contacts	1 - (41-42)
Switching current per output	max. 8 A
Input	
Input voltage	24 V DC (-15 +20%); 24 V AC (-15 +10%)
Input current	max. 3.7 VA/1.6 W (24 V DC)
Utilization category	
AC-15	6 A (230 V AC) STOP0
Safety contacts (STOP 0)	max. 250 V AC/8 A; min. 10 V AC/10 mA (resist./ind.), at suitable suppression
DC-13	6 A (24 V DC) STOP0
Commercial data	
country of origin	DE
customs tariff number	85364900
EAN	4048879367585
eClass	27371819
Packaging unit	1.000