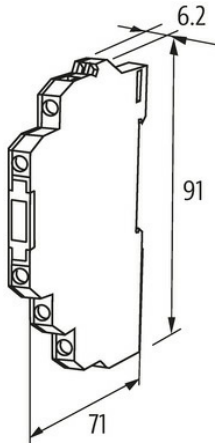
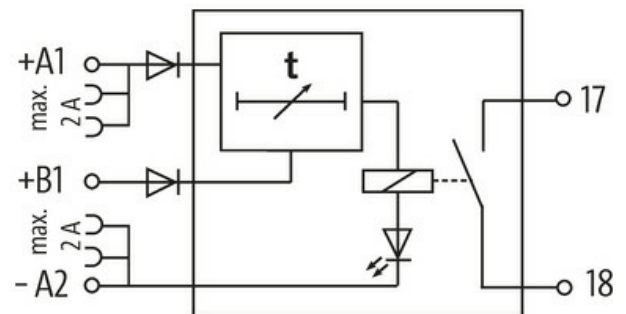


**MIRO MULTI TIMER 24VDC-1S**

MIRO 6.2 MULTI-TIMER 24VDC-1S

Relay output  
 Impulse expansion: 0.1...300 s  
 Screw terminals

[Link to Product](#)**Illustration**

Product may differ from Image

**General data**

Mounting method	DIN-rail mountable (EN 60715)
Temperature range	-25...+60 °C
Test isolation voltage	4 kV; safe separation (EN 60947-1)
Mech./ elect. life	20 000 000 switching cycles/load dependent
Dimensions H×W×D	91×6.2×71 mm

**Output**

Output voltage	max. 250 V AC/DC
----------------	------------------

The information in this brochure has been compiled with the utmost care.  
 Liability for the correctness completeness and topicality of the information is restricted to gross negligence. Version: 03/22

Min. load current	100 mA (12 V DC)
Output rating	max. 1500 VA/120 W
Contact material	Ag Sn O2
Energize/release/contact bounce time	10/15/1.5 ms
Switching frequency	max. 10 Hz
Output current	max. 6 A

**Input**

Input voltage	24 V DC (+10 -15%) input A
Control voltage	24 V DC (+10 -15%) input B
Control current	5 mA (input B)
Input current	20 mA (input A)

**Commercial data**

country of origin	CZ
customs tariff number	85364190
EAN	4048879026956
eClass	27210990
Packaging unit	1.000