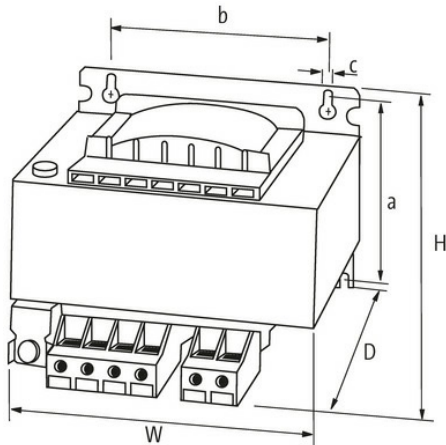
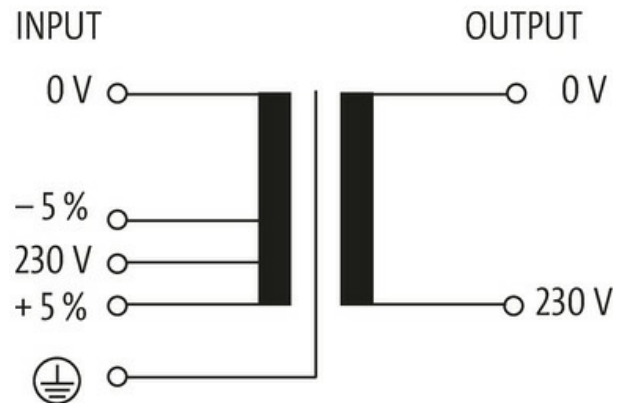


MET 1-PHASE CONTROL AND ISOLATION TRANSFORMER

P: 500VA IN: 230VAC+/- 5% OUT: 230VAC

Single-phase - Control and Isolation Transformers
500 VA
Isolation class T 60/B

[Link to Product](#)**Illustration**

Product may differ from Image

**General data**

Standards	EN 61558-1, EN 61558-2-4, EN 62041 category 0
Mounting method	Key-hole mounting
Temperature range	-20...+60 °C (storage temperature -40...+80 °C)
Test isolation voltage	4 kV (prim./sec.)
Drill hole Ø	7×11 mm
Fixing centers a×b×c	90×122×7 mm
Dimensions H×W×D	112.6×150×146 mm

The information in this brochure has been compiled with the utmost care.
Liability for the correctness completeness and topicality of the information is restricted to gross negligence. Version: 03/22

Output	
Output voltage	230 V AC
Output rating	500 VA
Input	
Input voltage	230 V AC \pm 5%
Inrush current	35.2 A (230 V AC)
Short-circuit current	75.1 A (230 V AC)
Input current	2.3 A (230 V AC)
Frequency	50...60 Hz
Commercial data	
country of origin	CZ
customs tariff number	85043180
EAN	4048879079051
eClass	27031302
Packaging unit	1.000