

EXACT12, 4XM12, 5-POLE, CAP, PLUG. SCREW-TERM

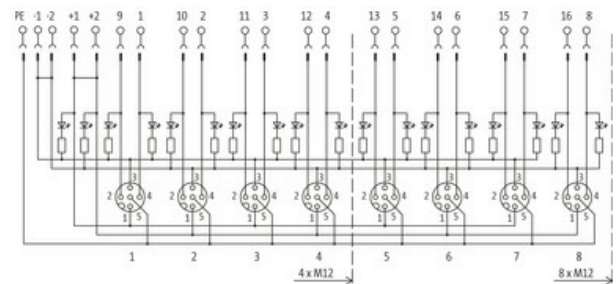
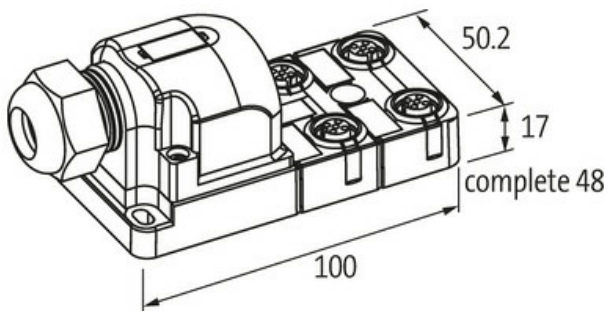
4-way, 5-pole

Form PNP

Screw plug-in terminals

Plastic housings with good resistance against chemicals and oils.

The resistance to aggressive media should be individually tested for your application. Further details on request.

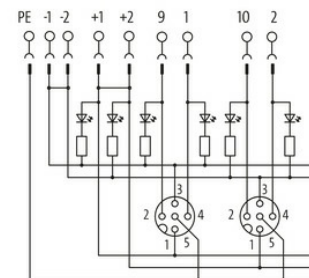
[Link to Product](#)**Illustration**

M12-Females 5-pole



9 | 11 | 13 | 16 | 14 | 12 | 10

-1 | +1 | 1 | 3 | PE | 4 | 2 | +2 | -2



for 2 signals per port

Product may differ from Image

**Technical Data**

Operating voltage	24 V DC
Operating current per contact	max. 4 A
Connection	Screw plug-in terminals: max. 1.5 mm ² (AWG 16)
Protection	IP65/IP67
Housing	Plastic, flame retardant
Total current	max. 8 A

General data

Temperature range	-20...+70 °C
-------------------	--------------

Contact Layout

PIN 1	(+)
PIN 2	(NC)/(S2)
PIN 3	(-)
PIN 4	(NO)/(S1)
PIN 5	(Earth)
LED (green): Power / LED (yellow): (S1) / LED (white): Signal (S2)	

Commercial data

country of origin	DE
customs tariff number	85369010
EAN	4048879055635
eClass	27279219
Packaging unit	1.000