

**MVP12-V, 6XM12, 4POLE, M23 12POL. CON.**

Connector exit frontside

6-way, 4-pole

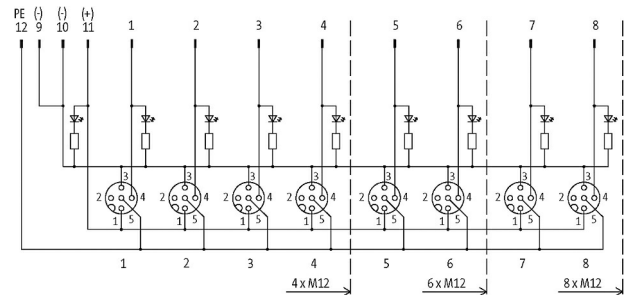
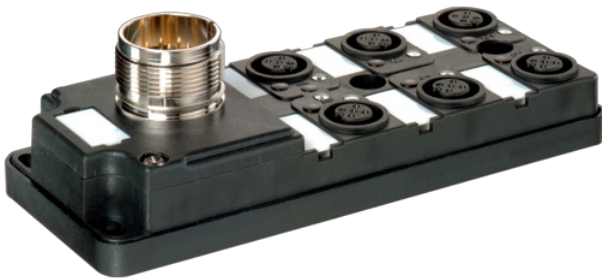
M23 plug connection

12-pole used

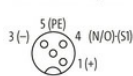
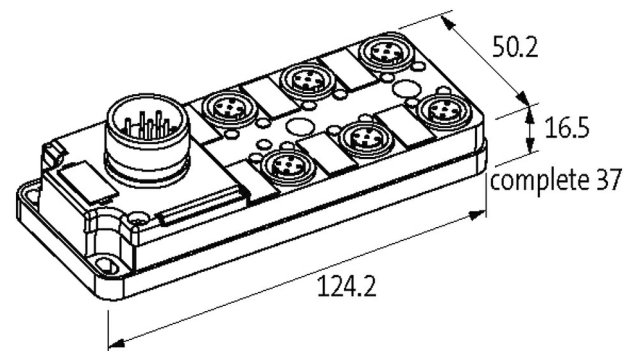
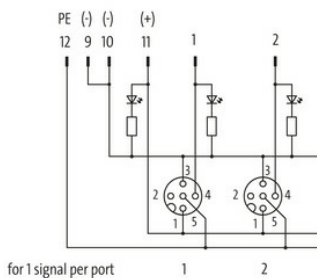
with LED for digital PNP-signals 24 V DC

Plastic housings with good resistance against chemicals and oils.

The resistance to aggressive media should be individually tested for your application. Further details on request.

[Link to Product](#)**Illustration**

M12-Females 4-pole

M23-Plug  
12-pole

Product may differ from Image

**Technical Data**

Operating voltage	24 V DC
Operating current per contact	max. 4 A
Locking of ports	Screw thread (M12×1 mm)
Protection	IP67 inserted and tightened (EN 60529)
Housing	Plastic, flame retardant
Signal per port	1 - (31-32)
Total current	max. 10 A

**General data**

Temperature range	-20...+80 °C
Dimensions H×W×D	124.2×50.2×16.5 mm

**Contact Layout**

PIN 1	(+)
PIN 3	(-)
PIN 4	(NO)/(S1)
PIN 5	(Earth)
	LED (green): Power / LED (yellow): (S1)

**Commercial data**

country of origin	DE
customs tariff number	85369010
EAN	4048879063388
eClass	27279219
Packaging unit	1.000