

M12 Power male recept. L-cod. front V2A

PUR-wires 5x1.5 0.2m

Flange male

M12, 5-pole

L-coded

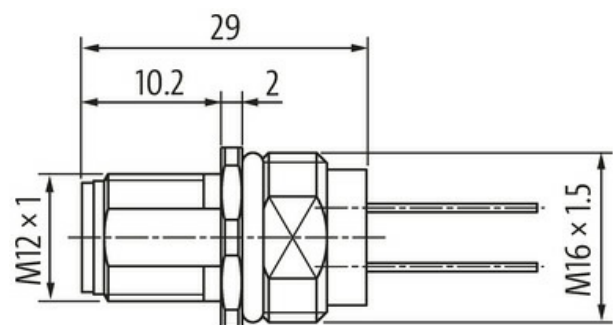
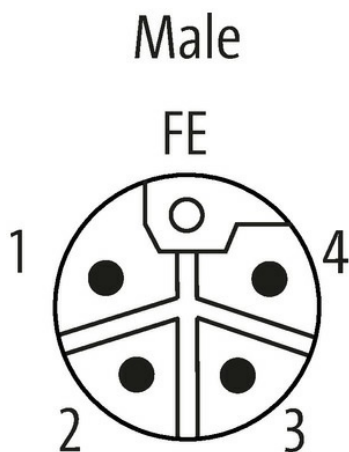
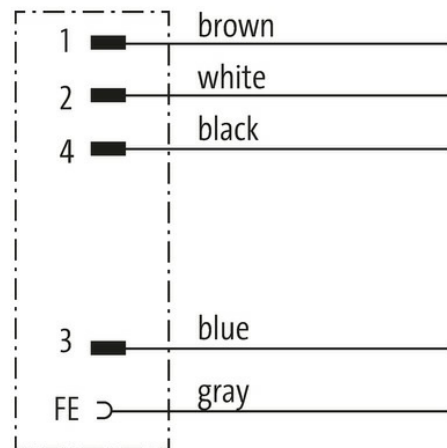
with multi-strand wire

Stainless steel 1.4305 (V2A)

Plastic housings with good resistance against chemicals and oils.

The resistance to aggressive media should be individually tested for your application. Further details on request.

Further cable lengths on request.

[Link to Product](#)**Illustration**

Product may differ from Image

Form

Form P4281

Technical Data

Operating voltage	max. 63 V AC/DC
Rated surge voltage	1.5 kV
Operating current per contact	max. 16 A
No. of poles	5
Material group	IEC 60664-1, category I

Coding	L-coded
Locking of ports	Screw thread (M12×1 mm) recommended torque 0.6 Nm, self-securing
Compression gland	M12 (SW17)
Protection	IP65 and IP67 when plugged and screwed down (EN 60529)
Protection NEMA	3, 4, 6P (UL 50E)
Locking material	Stainless steel 1.4305 (V2A)

General data

Pollution Degree	3
Temperature range	-25...+85 °C

Cables

No./diameter of wires	5× 1.5 mm ²
Wire isolation	PUR (br, wh, bl, bk, gr)
Outer Ø	2.4 mm ±5%
Cable number	980
Shield	no
Temperature range (fixed)	-40...+90 °C
Temperature range (mobile)	-25...+90 °C
Bend radius (fixed)	7.5× outer Ø

Commercial data

country of origin	DE
customs tariff number	85444290
EAN	4048879594103
eClass	27279221
Packaging unit	1.000