

**M12 female 0° Y-cod. with cable shielded**

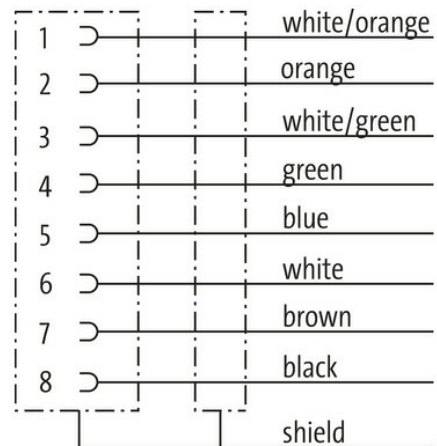
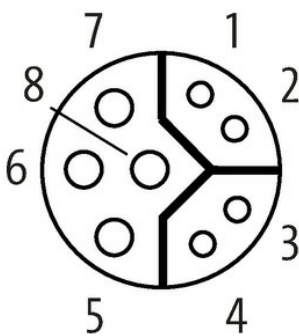
PUR AWG20/26 shielded gn UL/CSA+drag ch. 5m

Ethernet CAT5  
 Female straight  
 M12, 8-pole  
 Y-coded  
 shielded

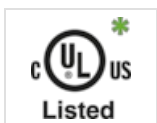
Further cable lengths on request.

Plastic housings with good resistance against chemicals and oils.

The resistance to aggressive media should be individually tested for your application. Further details on request.

**[Link to Product](#)****Illustration****Female**

Product may differ from Image



\* only for products with UL/CSA approved cable

**Form**

Form

15551

**Technical Data**

|   |  |
|---|--|
| Operating voltage                         | max. 50 V AC/DC  |
| Operating voltage (only UL listed)        | max. 30 V DC   |
| Rated surge voltage                       | 0.8 kV   |
| Operating current per contact             | 0.5 A (Data), 6 A (Power)  |
| Transfer parameters                       | CAT5, Class D (ISO/IEC 11801:2002), (EN 50173-1)                 |
| Transfer rate                             | up to 100 Mbit/s full duplex                                     |
| Material group                            | IEC 60664-1, category I  |
| Coding                                    | Y-coded  |
| Locking of ports                          | Screw thread (M12×1 mm) recommended torque 0.6 Nm, self-securing |
| Compression gland                         | M12 (SW13)   |
| Protection                                | IP65 and IP67 when plugged and screwed down (EN 60529)           |
| Material                                  | PUR  |
| Locking material                          | Zinc die casting, matte nickel plated                            |
| suitable for corrugated tube (internal Ø) | without  |

#### General data

|                   |  |
|-------------------|--|
| Standards         | DIN EN 61076-2-101 (M12)                 |
| Pollution Degree  | 3  |
| Temperature range | -25...+85 °C, depending on cable quality |

#### Cables

|                                    |  |
|------------------------------------|--|
| Cable identification               | 831  |
| Approval (cable)                   | cURus (AWM-Style 20549/10493); CE conform  |
| Cable weight [g/m]                 | 107,8 g  |
| Material (wire isolation)          | PP   |
| Material property (wire isolation) | CFC-, halogen-, cadmium-, silicone- and lead-free  |
| Shore hardness (wire isolation)    | 55 ±5 D  |
| Wire-Ø incl. isolation             | 1.5 mm ±5%   |
| Color/numbering of wires           | (bk, br, wh, bl), (whor, or, whgn, gn)   |
| Shield                             | yes  |
| optical shield cover               | min. 85%   |
| Material (jacket)                  | PUR  |
| Material property (jacket)         | CFC-, halogen-, cadmium-, silicone- and lead-free, matt, low-adhesion, machine easy to process, abrasion-resistant, hydrolysis and microbial resistant |
| Shore hardness (jacket)            | 90 ±5 A  |
| Outer-Ø (jacket)                   | 8.1 mm ±5%   |
| Color (jacket)                     | green  |
| chemical resistance                | Oil resistance according to IEC 60811-2-1, ASTM IRM 901, ICEA S-82-552 Std.  |
| thermal resistance                 | flame-retardant according to UL 1581 section 1090, section 1100 (FT2), IEC 60332-1-2 Std.  |
| Nominal voltage                    | 60 V AC  |
| Test voltage                       | 1000 V AC  |
| Current load capacity              | to DIN VDE 0298-4  |
| Temperature range (fixed)          | -40...+80 °C   |
| Temperature range (mobile)         | -30...+70 °C   |
| Bend radius (fixed)                | 5× outer Ø   |
| Bend radius (moving)               | 10× outer Ø  |
| No. of bending cycles (C-track)    | max. 2 Mio. (25 °C)  |
| Travel speed (C-track)             | max. 3.3 m/s   |
| Acceleration (C-track)             | max. 5 m/s <sup>2</sup>  |
| Torsion stress                     | ±30°/m   |
| No. of torsion cycles              | max. 2 Mio. (25 °C)  |
| Torsion speed                      | 35 cycles/min  |

#### Commercial data

|                       |          |
|-----------------------|----------|
| country of origin     | DE       |
| customs tariff number | 85444290 |

|                |               |
|----------------|---------------|
| EAN            | 4048879671941 |
| eClass         | 27279218      |
| Packaging unit | 1.000         |