

**M12 male 0° / M12 female 0°**

PUR 5x0.5 gy drag ch. 5m

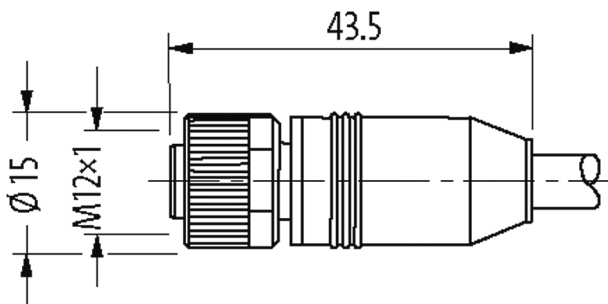
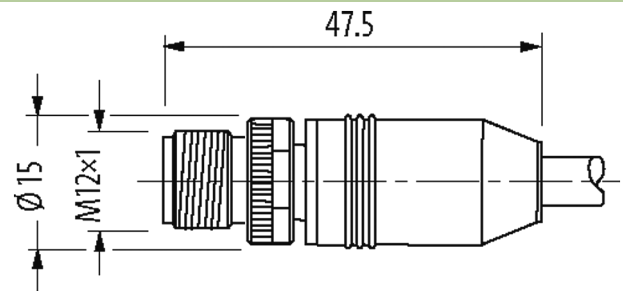
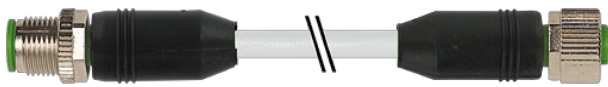
Male straight – female straight

M12 – M12, 5-pole  
with cable sleeves

Plastic housings with good resistance against chemicals and oils.

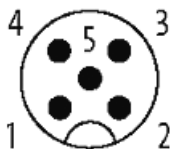
The resistance to aggressive media should be individually tested for your application. Further details on request.

Further cable lengths on request.

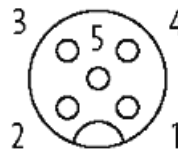
**Link to Product****Illustration**

|   |               |     |
|---|---------------|-----|
| 1 | 1 black (+)   | c 1 |
| 2 | 2 black (N/C) | c 2 |
| 4 | 4 black (N/O) | c 4 |
| 3 | 3 black (-)   | c 3 |
| 5 | gn/ye         | c 5 |

Male



Female



Product may differ from Image



\* only for products with UL/CSA approved cable

**Form**

Form 40041

**Technical Data**

|                                    |                  |
|------------------------------------|------------------|
| Operating voltage                  | max. 125 V AC/DC |
| Operating voltage (only UL listed) | max. 30 V AC/DC  |

|                               |  |
|-------------------------------|--|
| Rated surge voltage           | 1.5 kV   |
| Operating current per contact | max. 4 A   |
| Material group                | IEC 60664-1, category I  |
| No. of poles                  | 5  |
| Coding                        | A-coded  |
| LED display                   | no   |
| Locking of ports              | Screw thread (M12×1 mm) recommended torque 0.6 Nm, self-securing |
| Compression gland             | M12 (SW13)   |
| Protection                    | IP67 inserted and tightened (EN 60529)                           |
| Locking material              | Zinc die casting, nickel-plated                                  |
| Material                      | PUR  |

#### General data

|                   |  |
|-------------------|--|
| Standards         | DIN EN 61076-2-101 (M12)                 |
| Pollution Degree  | 3  |
| Temperature range | -25...+85 °C, depending on cable quality |

#### Cables

|                                    |  |
|------------------------------------|--|
| Cable number                       | 437  |
| No./diameter of wires              | 5× 0.5 mm <sup>2</sup>   |
| Wire isolation                     | PP (bk num, gnye)  |
| C-track properties                 | 2 Mio.   |
| Jacket Color                       | gray   |
| Material (jacket)                  | PUR  |
| Outer Ø                            | 6.2 mm ±5%   |
| Bend radius (moving)               | 15× outer Ø  |
| Temperature range (fixed)          | -40...+90 °C   |
| Temperature range (mobile)         | -5...+90 °C  |
| Cable identification               | 437  |
| Approval (cable)                   | CE   |
| Cable weight [g/m]                 | 57,20  |
| Material (wire)                    | Cu wire, bare  |
| Resistor (core)                    | max. 39 Ω/km (20 °C)   |
| Single wire Ø (core)               | 0.15 mm  |
| Construction (core)                | 28× 0.15 mm (multi-strand wire class 6)  |
| Diameter (core)                    | 5× 0.5 mm <sup>2</sup>   |
| AWG                                | similar to AWG 20  |
| Material (wire isolation)          | PP   |
| Material property (wire isolation) | CFC-, halogen-, cadmium-, silicone- and lead-free  |
| Shore hardness (wire isolation)    | 90 ±5 A  |
| Wire-Ø incl. isolation             | 1.7 mm ±5%   |
| Color/numbering of wires           | bk numbered, gnye longitudinally striped   |
| Stranding combination              | 5 wires twisted around central filler  |
| Shield                             | no   |
| Material (jacket)                  | PUR  |
| Material property (jacket)         | CFC-, halogen-, cadmium-, silicone- and lead-free, matt, low-adhesion, machine easy to process, abrasion-resistant, hydrolysis and microbial resistant |
| Shore hardness (jacket)            | 85 ±5 A  |
| Outer-Ø (jacket)                   | 6.2 mm ±5%   |
| Color (jacket)                     | gray   |
| Nominal voltage                    | 300 V AC   |
| Test voltage                       | 2000 V AC  |
| Current load capacity              | to DIN VDE 0298-4  |
| Temperature range (fixed)          | -40...+90 °C   |
| Temperature range (mobile)         | -5...+90 °C  |
| Bend radius (fixed)                | 10× outer Ø  |

The information in this brochure has been compiled with the utmost care.

Liability for the correctness completeness and topicality of the information is restricted to gross negligence. Version: 03/22

|                                 |                         |
|---------------------------------|-------------------------|
| Bend radius (moving)            | 15× outer Ø             |
| No. of bending cycles (C-track) | max. 2 Mio. (25 °C)     |
| Traversing distance (C-track)   | max. 2 m                |
| Travel speed (C-track)          | max. 3.3 m/s            |
| Acceleration (C-track)          | max. 5 m/s <sup>2</sup> |

**Commercial data**

|                       |               |
|-----------------------|---------------|
| country of origin     | CZ            |
| customs tariff number | 85444290      |
| EAN                   | 4048879084338 |
| eClass                | 27279218      |
| Packaging unit        | 1             |